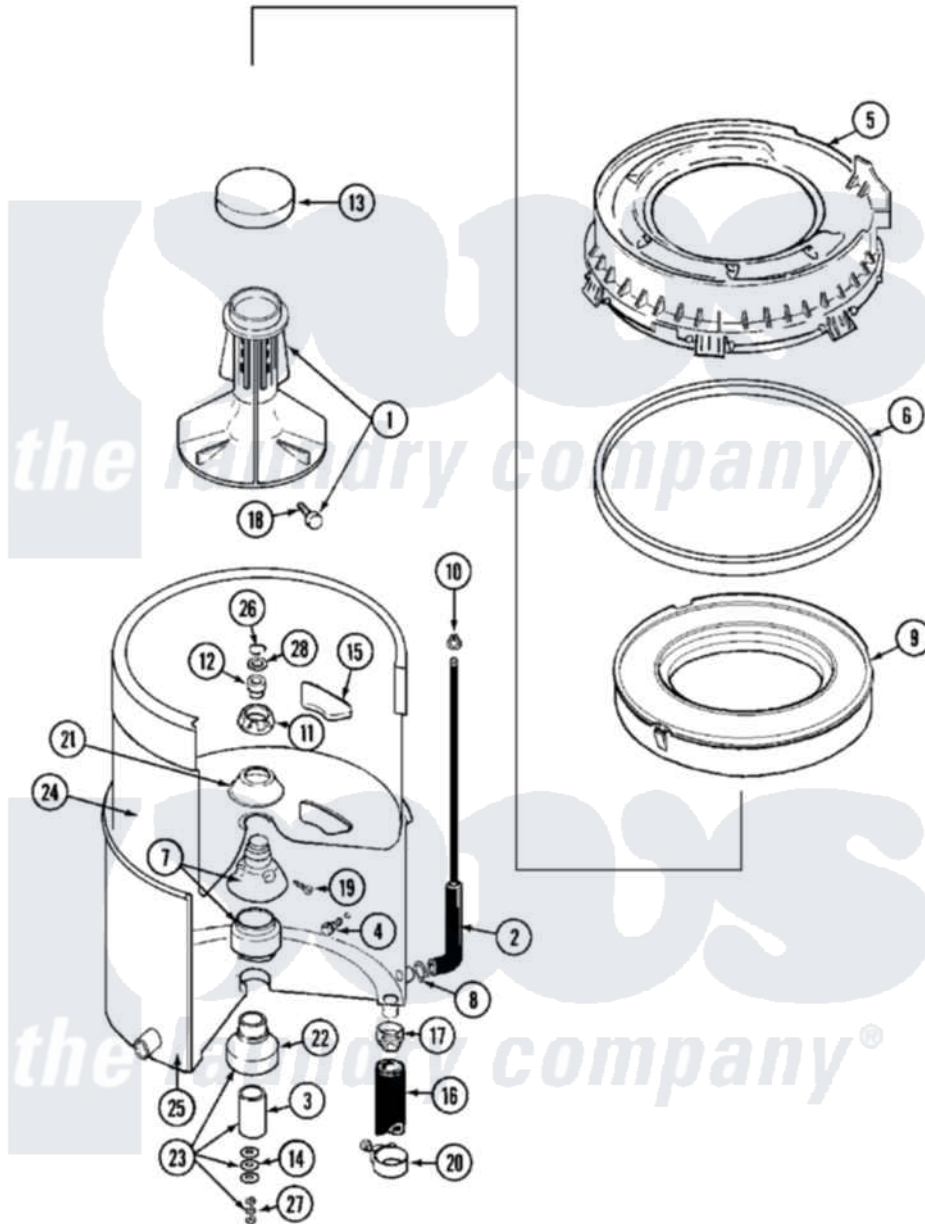


# Maytag MAT10PSAAW 04 - TUB



Maytag [Residential Maytag MAT10PSAAW Washer Parts](#) Parts Diagram 04 - TUB  
 Click on the part number to view part

Item	Original Part Number	Replaced By	Status	Part Description
001	<a href="#">208543</a>			Agitator
002	212942	<a href="#">22001619</a>		Tube, Water Level Switch
003	<a href="#">211130</a>			Bearing Liner, Tub Bearing
004	200744	<a href="#">W10175939</a>		Bolt
"	205254	<a href="#">W10175938</a>		Bolt
005	<a href="#">22001299</a>			Tub Cover And Gasket Assembly
"	22001606	<a href="#">12001270</a>		Kit, Injector Acc.
006	Y22001201	<a href="#">22001007</a>		Gasket, Cover To Tub
007	204012	<a href="#">6-2095720</a>		Mounting S
008	<a href="#">211641</a>			Clamp, 1-1/16"
009	<a href="#">22001142</a>			Ring, Balance
010	410296	<a href="#">596669</a>		Clamp, Manifold
011	211047	<a href="#">6-2110472</a>		Nut- Clamp
012	Y0A4298	<a href="#">6-0A57420</a>		Seal- Agitator
013	<a href="#">215532</a>			Cap, Agitator
014	<a href="#">211100</a>			Washer, Outer Tub

015	<a href="#">215980</a>		Plug, Filter Hole
016	<a href="#">Y212989</a>		Hose, Outer Tub To Pump
017	201011	<a href="#">285655</a>	Clamp, Hose
018	206478	Not Available	SCREW & WASHER FOR AGITATOR
019	211618	<a href="#">22001423</a>	Set Screw, Mounting Stem
020	202574	<a href="#">3367052</a>	Clamp, Hose
021	<a href="#">211210</a>		Washer, Clamping Nut
022	200824	<a href="#">6-2040130</a>	Tub Bearin
023	204013	<a href="#">6-2040130</a>	Tub Bearin
024	22001141	<a href="#">Y2201881</a>	Tub, Inner Short White SP
025	22001115	<a href="#">22003312</a>	Tub, Outer
026	<a href="#">Y015667</a>		Retaining Ring
027	<a href="#">Y054867</a>		Washer, Lock
028	<a href="#">Y015666</a>		Washer, Retaining -

