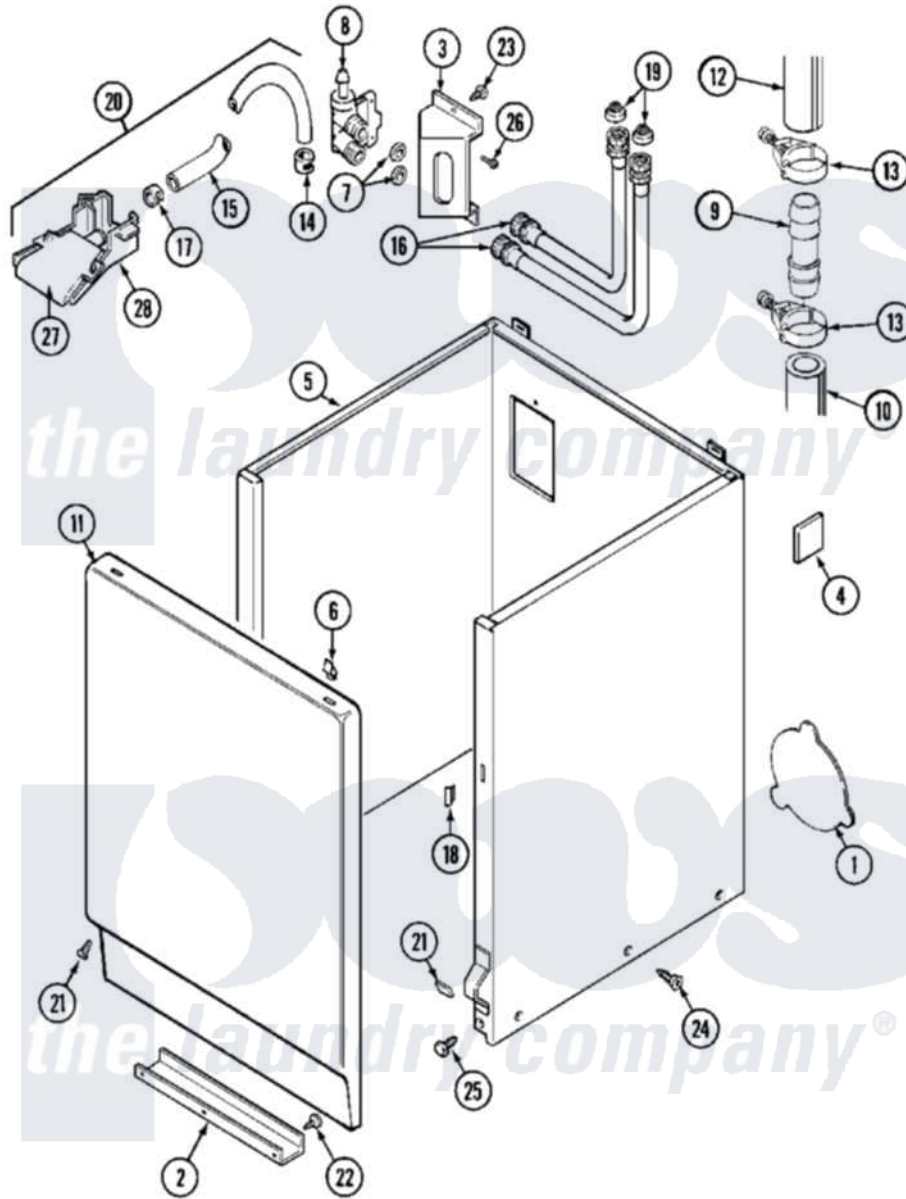


# Maytag MAT11MNAGW 03 - CABINET



Maytag [Residential Maytag MAT11MNAGW Washer Parts](#) Parts Diagram 03 - CABINET  
 Click on the part number to view part

Item	Original Part Number	Replaced By	Status	Part Description
001	211294	<a href="#">90767</a>		Screw, 8A X 3/8 HeX Washer Head Tapping
"	212985	<a href="#">22002924</a>		Plate, Access
"	NLA		Not Available	PLATE, ACCESS
002	<a href="#">213846</a>			Guard, Belt
003	214812	<a href="#">22002361</a>		Bracket, Water Valve
004	<a href="#">215058</a>			Pad, Cabinet Bumper
005	NLA		Not Available	CABINET (WHT)
006	212982	<a href="#">22001650</a>		Fastener, Spring
007	<a href="#">Y013783</a>			Washer, Inlet Hose
008	214337	<a href="#">96160</a>		Screen
"	<a href="#">22001196</a>			Valve, Water
"	<a href="#">22001275</a>			Valve, Water
"	22001276	<a href="#">22004332</a>		Water Valve 240V/50Hz, Comm
009	211111	<a href="#">16272</a>		Connector, Straight
010	214768	<a href="#">211704</a>		Hose, Drain

011	216078	Not Available	PANEL, FRONT (WHT)
012	215057	<a href="#">211704</a>	Hose, Drain
013	200461	<a href="#">285655</a>	Clamp, Hose
014	216169	<a href="#">596669</a>	Clamp, Manifold
015	<a href="#">22001190</a>		Hose, Injector
016	205828	<a href="#">202860</a>	Inlet Hose Assembly
"	208100	<a href="#">76313</a>	Hosefill
017	216170	<a href="#">489503</a>	Clamp
018	214376	<a href="#">22002331</a>	Spacer, Front Panel
019	200961	<a href="#">12001413</a>	Strainer And Washer Kit
020	<a href="#">22001304</a>		Water Injector Assembly
021	<a href="#">204439</a>		Screw And Fstner Assembly
022	211294	<a href="#">90767</a>	Screw, 8A X 3/8 HeX Washer Head Tapping
023	212276	<a href="#">W10116760</a>	Screw
024	<a href="#">213007</a>		Xfor Cabinet See Cabinet, Back
025	213121	<a href="#">3400111</a>	Screw, 12-14 X 5/8
"	213122	<a href="#">27001200</a>	Screw
026	<a href="#">Y313561</a>		Screw----NA
027	<a href="#">22001187</a>		Injector
028	<a href="#">22001186</a>		Injector

