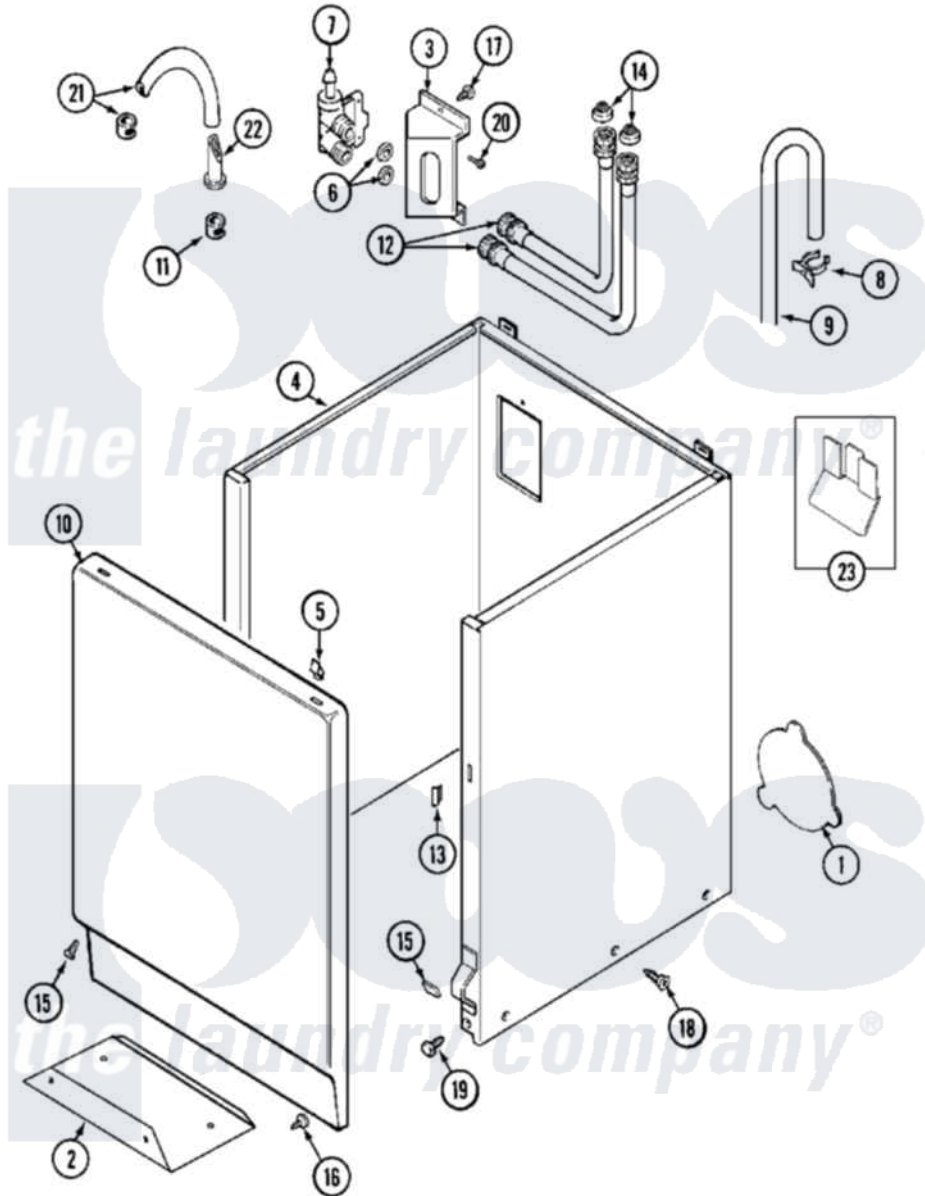


# Maytag MAT12CSAGW 03 - CABINET



Maytag [Residential Maytag MAT12CSAGW Washer Parts](#) Parts Diagram 03 - CABINET  
 Click on the part number to view part

Item	Original Part Number	Replaced By	Status	Part Description
001	211294	<a href="#">90767</a>		Screw, 8A X 3/8 HeX Washer Head Tapping
"	212985	<a href="#">22002924</a>		Plate, Access
"	NLA		Not Available	PLATE, ACCESS
002	<a href="#">213846</a>			Guard, Belt
003	214812	<a href="#">22002361</a>		Bracket, Water Valve
"	22003217	<a href="#">3370225</a>		Screw
004	<a href="#">22001995</a>			Screw Note: Screw, Tumbler Front And Shroud
"	<a href="#">22002381</a>			V-Bracket
"	<a href="#">22002382</a>			Fastener, V-Bracket
"	NLA		Not Available	CABINET (WHT)
005	<a href="#">22001650</a>			Fastener, Spring
006	<a href="#">Y013783</a>			Washer, Inlet Hose
007	205161	<a href="#">489503</a>		Clamp
"	214337	<a href="#">96160</a>		Screen
"	<a href="#">22001604</a>			Valve, Water 120V 60Hz

"	<a href="#">22001605</a>		Valve, Water 240V 50hz
008	22001815	<a href="#">22002765</a>	Clip, Hose
009	<a href="#">22001816</a>		Hose, Drain
"	22002700	<a href="#">22003410</a>	Hose, Drain
"	22002701	<a href="#">22003814</a>	Retainer, Drain Hose
010	22001803	Not Available	PANEL, FRONT (WHT)
"	22001804	<a href="#">22002653</a>	Panel, Front
"	33001268	Not Available	PAD, DOOR
011	205161	<a href="#">489503</a>	Clamp
012	205828	<a href="#">202860</a>	Inlet Hose Assembly
"	208100	<a href="#">76313</a>	Hosefill
013	214376	<a href="#">22002331</a>	Spacer, Front Panel
014	200961	<a href="#">12001413</a>	Strainer And Washer Kit
015	213280	<a href="#">204439</a>	Screw And Fstner Assembly
"	<a href="#">22001496</a>		Front Panel Fastener And Screw
016	211294	<a href="#">90767</a>	Screw, 8A X 3/8 HeX Washer Head Tapping
017	212276	<a href="#">W10116760</a>	Screw
018	<a href="#">213007</a>		Xfor Cabinet See Cabinet, Back
019	213121	<a href="#">3400111</a>	Screw, 12-14 X 5/8
"	213122	<a href="#">27001200</a>	Screw
020	<a href="#">Y313561</a>		Screw---NA
021	22001608	<a href="#">22001954</a>	Injector Hose And Clamp Kit
022	<a href="#">22001900</a>		Preventer, Back Flow
023	<a href="#">22001972</a>		Clip, Cabinet

*the laundry company®*

*the laundry company®*