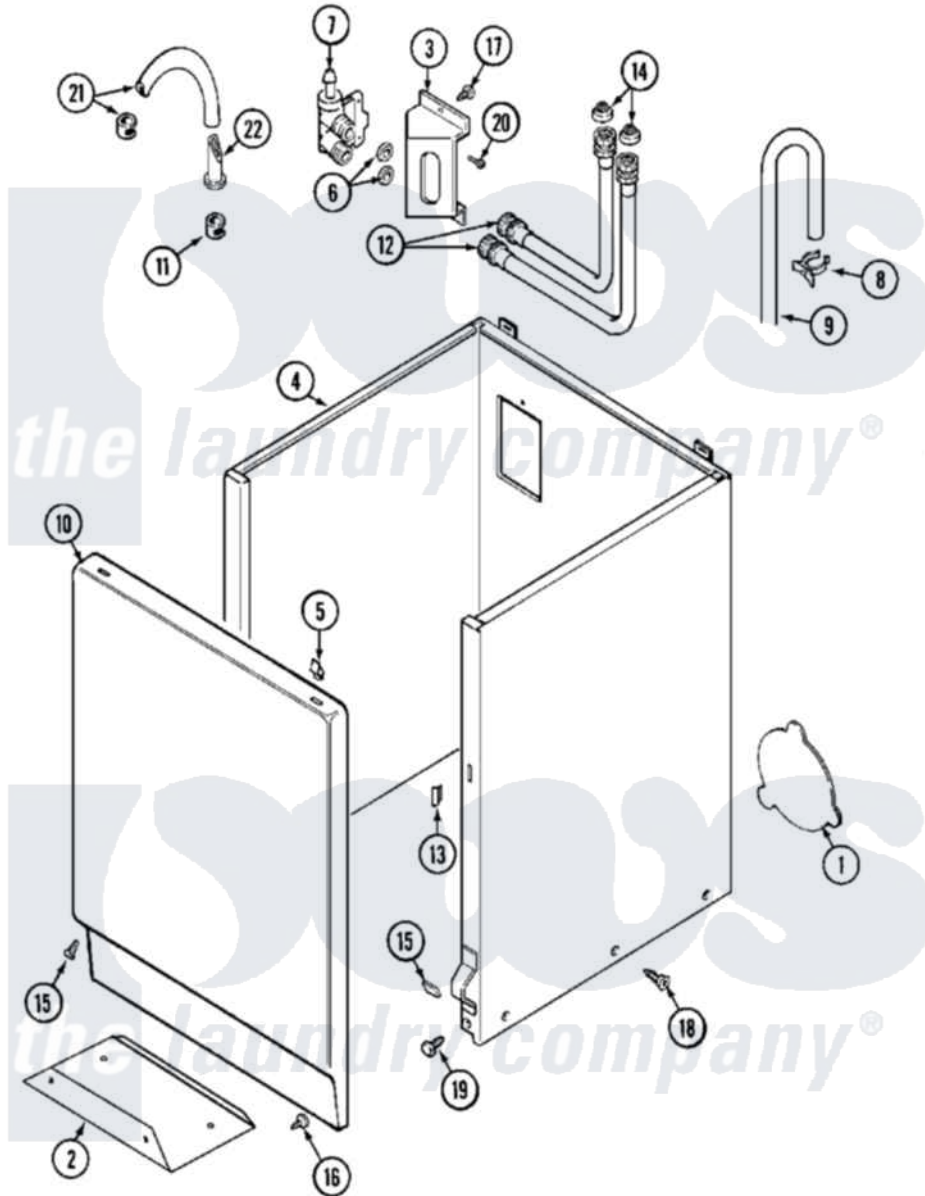


# Maytag MAT12PDABL 04 - CABINET



Maytag [Residential Maytag MAT12PDABL Washer Parts](#) Parts Diagram 04 - CABINET  
 Click on the part number to view part

| Item | Original Part Number     | Replaced By              | Status        | Part Description                        |
|------|--------------------------|--------------------------|---------------|---|
| 001  | 211294                   | <a href="#">90767</a>    |               | Screw, 8A X 3/8 HeX Washer Head Tapping |
| "    | 212985                   | <a href="#">22002924</a> |               | Plate, Access                           |
| "    | NLA                      |                          | Not Available | PLATE, ACCESS                           |
| 002  | <a href="#">213846</a>   |                          |               | Guard, Belt                             |
| 003  | 214812                   | <a href="#">22002361</a> |               | Bracket, Water Valve                    |
| "    | 22003217                 | <a href="#">3370225</a>  |               | Screw                                   |
| 004  | NLA                      |                          | Not Available | CABINET (WHT)                           |
| 005  | <a href="#">22001650</a> |                          |               | Fastener, Spring                        |
| 006  | <a href="#">Y013783</a>  |                          |               | Washer, Inlet Hose                      |
| 007  | 205161                   | <a href="#">489503</a>   |               | Clamp                                   |
| "    | 214337                   | <a href="#">96160</a>    |               | Screen                                  |
| "    | <a href="#">22001604</a> |                          |               | Valve, Water 120V 60Hz                  |
| 008  | 22001815                 | <a href="#">22002765</a> |               | Clip, Hose                              |
| 009  | <a href="#">22001816</a> |                          |               | Hose, Drain                             |
| "    | 22002700                 | <a href="#">22003410</a> |               | Hose, Drain                             |
| "    | 22002701                 | <a href="#">22003814</a> |               | Retainer, Drain Hose                    |

|     |                          |                           |               |   |
|-----|--------------------------|---------------------------|---------------|---|
| 010 | 22001803                 |                           | Not Available | PANEL, FRONT (WHT)                      |
| "   | 22001804                 | <a href="#">22002653</a>  |               | Panel, Front                            |
| 011 | 205161                   | <a href="#">489503</a>    |               | Clamp                                   |
| 012 | 205828                   | <a href="#">202860</a>    |               | Inlet Hose Assembly                     |
| 013 | 214376                   | <a href="#">22002331</a>  |               | Spacer, Front Panel                     |
| 014 | 200961                   | <a href="#">12001413</a>  |               | Strainer And Washer Kit                 |
| 015 | <a href="#">213325</a>   |                           |               | Clip, Retaining                         |
| "   | <a href="#">22001496</a> |                           |               | Front Panel Fastener And Screw          |
| 016 | 211294                   | <a href="#">90767</a>     |               | Screw, 8A X 3/8 HeX Washer Head Tapping |
| 017 | 212276                   | <a href="#">W10116760</a> |               | Screw                                   |
| 018 | <a href="#">213007</a>   |                           |               | Xfor Cabinet See Cabinet, Back          |
| 019 | 213121                   | <a href="#">3400111</a>   |               | Screw, 12-14 X 5/8                      |
| "   | 213122                   | <a href="#">27001200</a>  |               | Screw                                   |
| 020 | <a href="#">Y313561</a>  |                           |               | Screw---NA                              |
| 021 | 22001608                 | <a href="#">22001954</a>  |               | Injector Hose And Clamp Kit             |
| 022 | <a href="#">22001900</a> |                           |               | Preventer, Back Flow                    |

