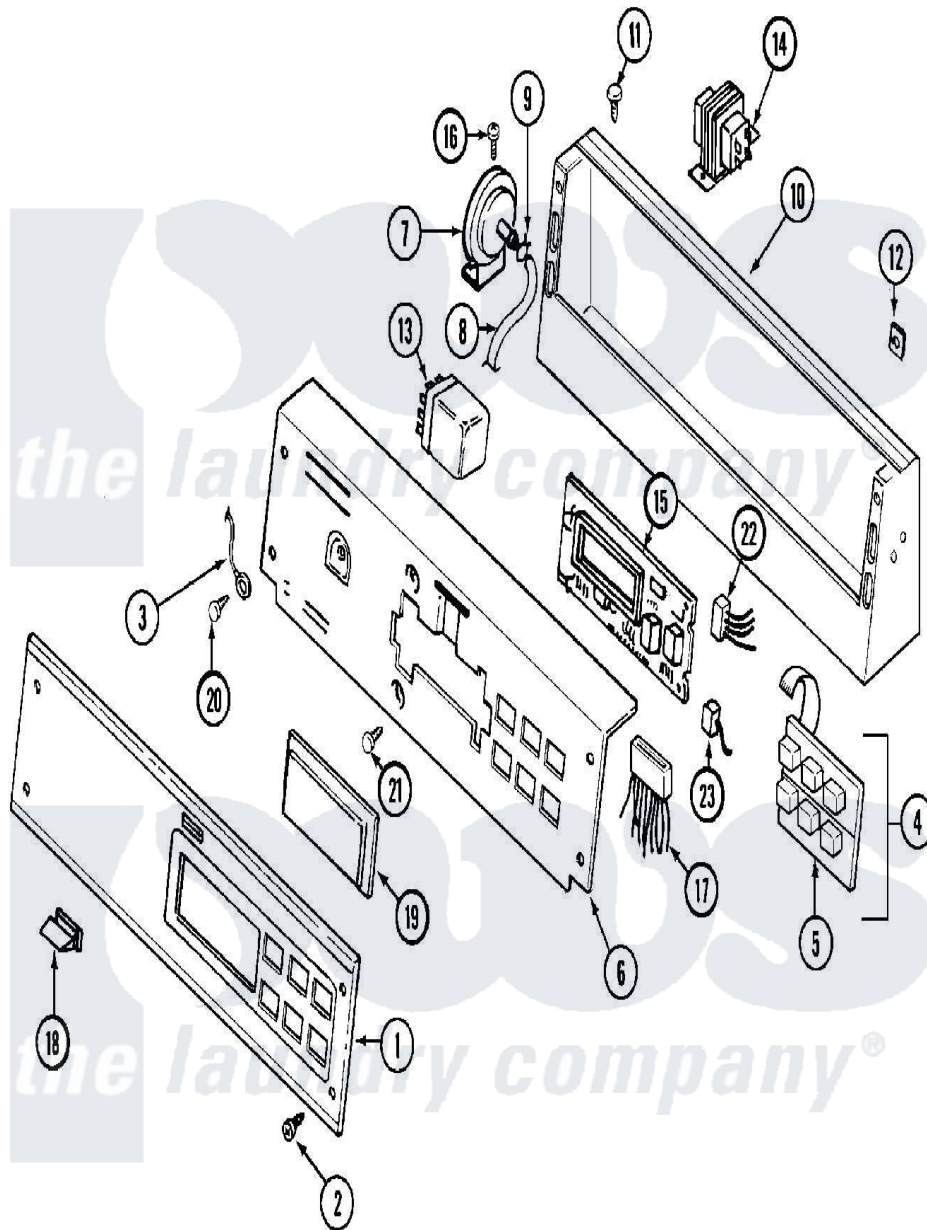


Maytag MAT12PDABL 09 - CONTROL PANEL (MAT12PDAG/PDEG/PSAG)



Maytag Residential Maytag MAT12PDABL Washer Parts Diagram 09 - CONTROL PANEL (MAT12PDAG/PDEG/PSAG)

Click on the part number to view part

Item	Original Part Number	Replaced By	Status	Part Description
001	22001865			Panel, Control----S
"	22001877			Panel, Control
"	22001958	22004305		Facia, Pd/Ps
"	22002141			Panel, Control
"	22004288			Facia - Pd/Ps
002	215506			Screw, Control Panel Overlay
003	204807			Ground Wire, Supp. Plte To Top Cover
"	22001959			Wire, Ground
004	206808	W10135389		Push Button And Switch Assembly
"	215526			Screw, Circuit Board
005	215517	W10131113		Push Button
006	22001513			Bracket, Back
"	22001961			Bracket, Back
007	22001308			Switch, Water Level

008	22001617	22001619	Tube, Water Level Switch
"	22001619		Tube, Water Level Switch
009	410296	596669	Clamp, Manifold
010	206780		Control Cover Assembly
011	212276	W10116760	Screw
012	215003		Fastener, Panel And Bracket
013	206421		Relay, Motor Reversing
"	22001418		Plate, Relay
014	22001417		Transformer
"	22001960		Transformer
"	22002139		Transformer
015	22001511	22002954	Deflector, Water
"	22001955	22004222	Commercial D.C. Control Board
"	22004048	22004222	Commercial D.C. Control Board
"	33001204		Stand-Off, Ccontrol Board
"	912077		Locknut, Reader Harness
"	NLA	Not Available	CIRCUIT BOARD ASSEMBLY
"	NLA	Not Available	KIT, BATTERY & SUPPORT
"	Y215513		Standoff, Circuit Board
016	211294	90767	Screw, 8A X 3/8 HeX Washer Head Tapping
017	22002140	22004206	Harness As Pack
"	22002699	902577	Capacitor, Thermostat
"	22004393		Harness, Wire
"	314531		Connector, Edgeboard
"	NLA	Not Available	WIRE HARNESS, MAIN---NA
"	Y312953		Terminal, Edgeboard
018	214610		Bumper, Lid
019	22001962	W10131114	Cover, Display
"	33001208		Cover, Display
020	210186	3370225	Screw
021	215527	W10140652	Screw, 6-20 X 1/2
022	206799		Optic Switch Assembly
"	22001965		Optic Switch Assembly
"	NLA	Not Available	CONNECTOR, EDGEBOARD---NA
023	208045		Harness, Wire Sensor Switch To Circuit Brd
"	22001361		Connector, Edgeboard
"	22001966		Harness, Sensor Switch