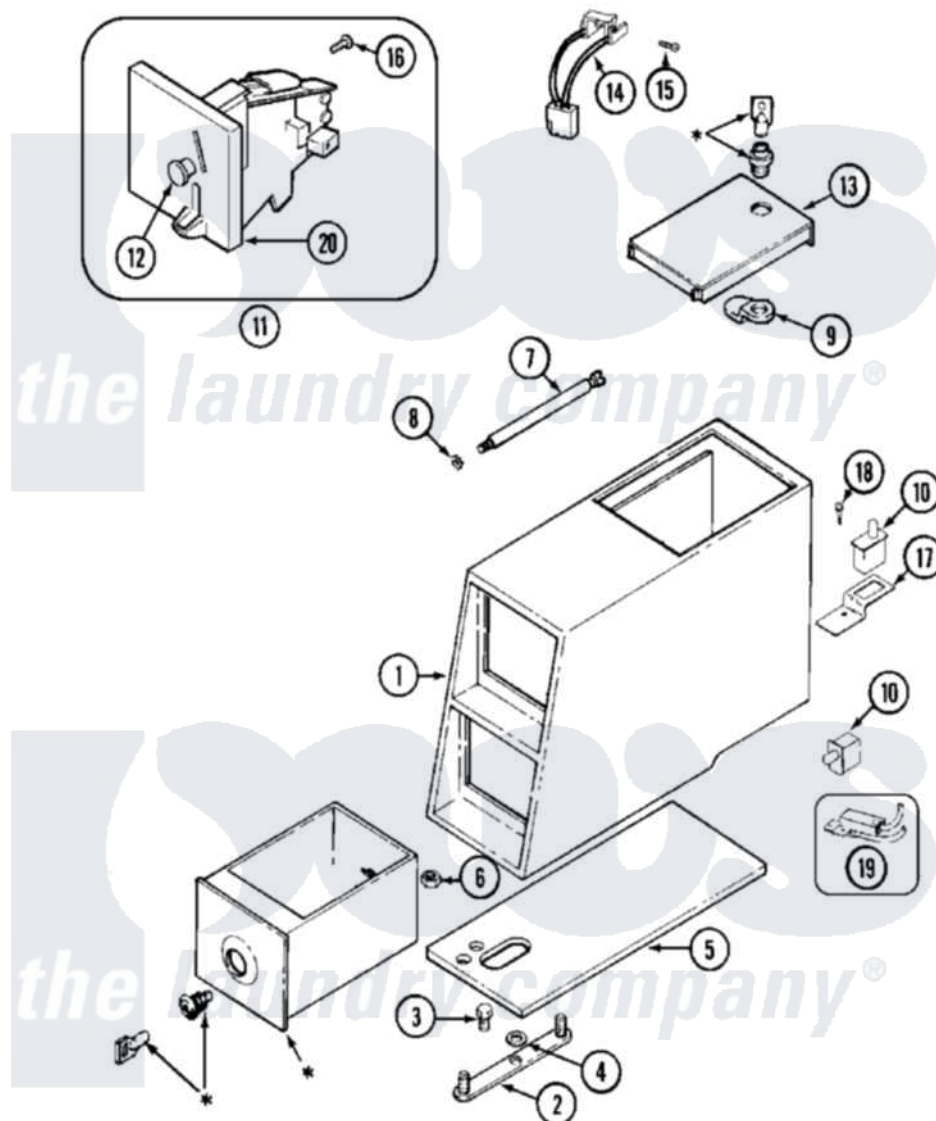


Maytag MAT12PDBAQ 02 - CONTROL CENTER (MAT12PDBAQ)



* CONTACT YOUR COMMERCIAL LAUNDRY DISTRIBUTOR

Maytag [Residential Maytag MAT12PDBAQ Washer Parts](#) Parts Diagram 02 - CONTROL CENTER (MAT12PDBAQ)
 Click on the part number to view part

Item	Original Part Number	Replaced By	Status	Part Description
001	33002428	22002480		Vault, Coin PD Coin Drop Supplied By Dist.
002	22001810		Not Available	STRAP, MOUNTING
003	211294	90767		Screw, 8A X 3/8 HeX Washer Head Tapping
004	910309			Washer, Mounting Strap
005	22002599			Gasket, Coin Vault
006	Y052740	62739		Nut, Lock
007	213035			Bolt, Locking
008	910181			Lockwasher, Terminal Block
009	NLA		Not Available	CAM, LOCKING
010	33001250			Switch, Vault And Service Door
"	912012	3400409		Screw
011	22001873	22004112		Coin Drop Greenwald Us.25
"	22002144			Single Faceplate
"	22003815			Dual Faceplate

"	22004112		Coin Drop Greenwald Us.25
012	216200		Face Plate Return Button
013	22002886	22003692	Timer Access Door Assembly
014	22001965		Optic Switch Assembly
015	314665		Screw, Switch Assembly
016	216068		Screw, Coin Drop
017	22001404		Bracket, Service Switch
018	212276	W10116760	Screw
019	22001966		Harness, Sensor Switch
020	22002144		Single Faceplate
"	33002647		Single Faceplate Assembly

Howes
the laundry company®

Howes
the laundry company®

Howes
the laundry company®