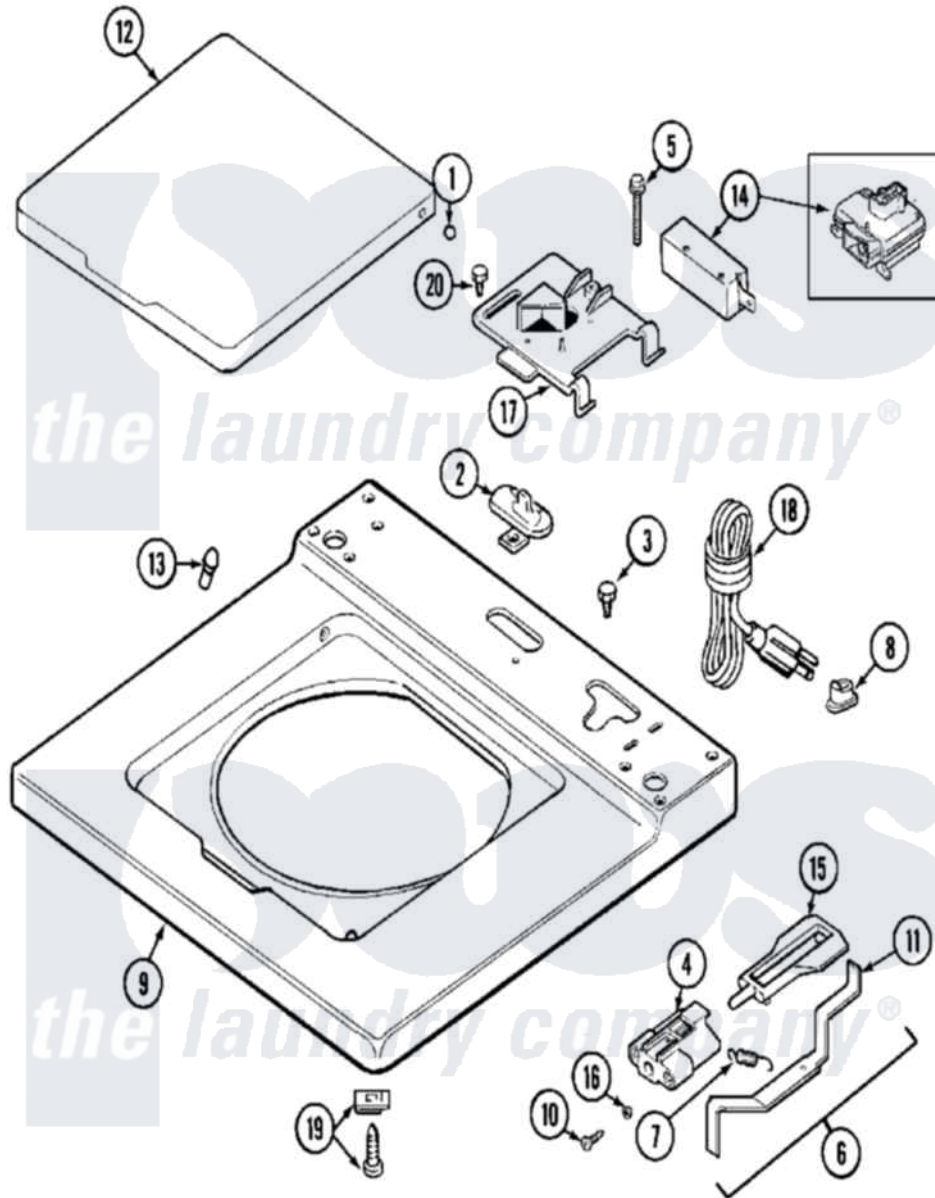


# Maytag MAT12PDBAQ 03 - TOP (MAT12PDBAQ)



Maytag Residential Maytag MAT12PDBAQ Washer Parts Parts Diagram 03 - TOP (MAT12PDBAQ)  
 Click on the part number to view part

Item	Original Part Number	Replaced By	Status	Part Description
001	<a href="#">211726</a>			Hinge, Ball Lid
002	207159	<a href="#">489355</a>		Screw, 8 X 1/2
"	<a href="#">22001298</a>			Cap, Top Cover
003	210186	<a href="#">3370225</a>		Screw
004	<a href="#">22001969</a>			Unbalance Lever Assembly
005	<a href="#">204445</a>			Screw And Fastener Assembly
006	<a href="#">22001969</a>			Unbalance Lever Assembly
007	<a href="#">213720</a>			Spring, Lid Switch
008	<a href="#">211881</a>			Grommet, Cord Part Not Used- Gas Models Only
009	<a href="#">22002888</a>			Cover, Top
010	910182	<a href="#">25-7809</a>		Screw, No.6-20 1/2 Flthd Torx
011	<a href="#">22001968</a>			Lever, Unbalance
012	<a href="#">22002656</a>			Lid, With Legend
013	<a href="#">212716</a>			Bumper, Lid
014	22001967	<a href="#">12001908</a>		Switch-Lid
015	<a href="#">216255</a>			Plunger, Lid Switch

