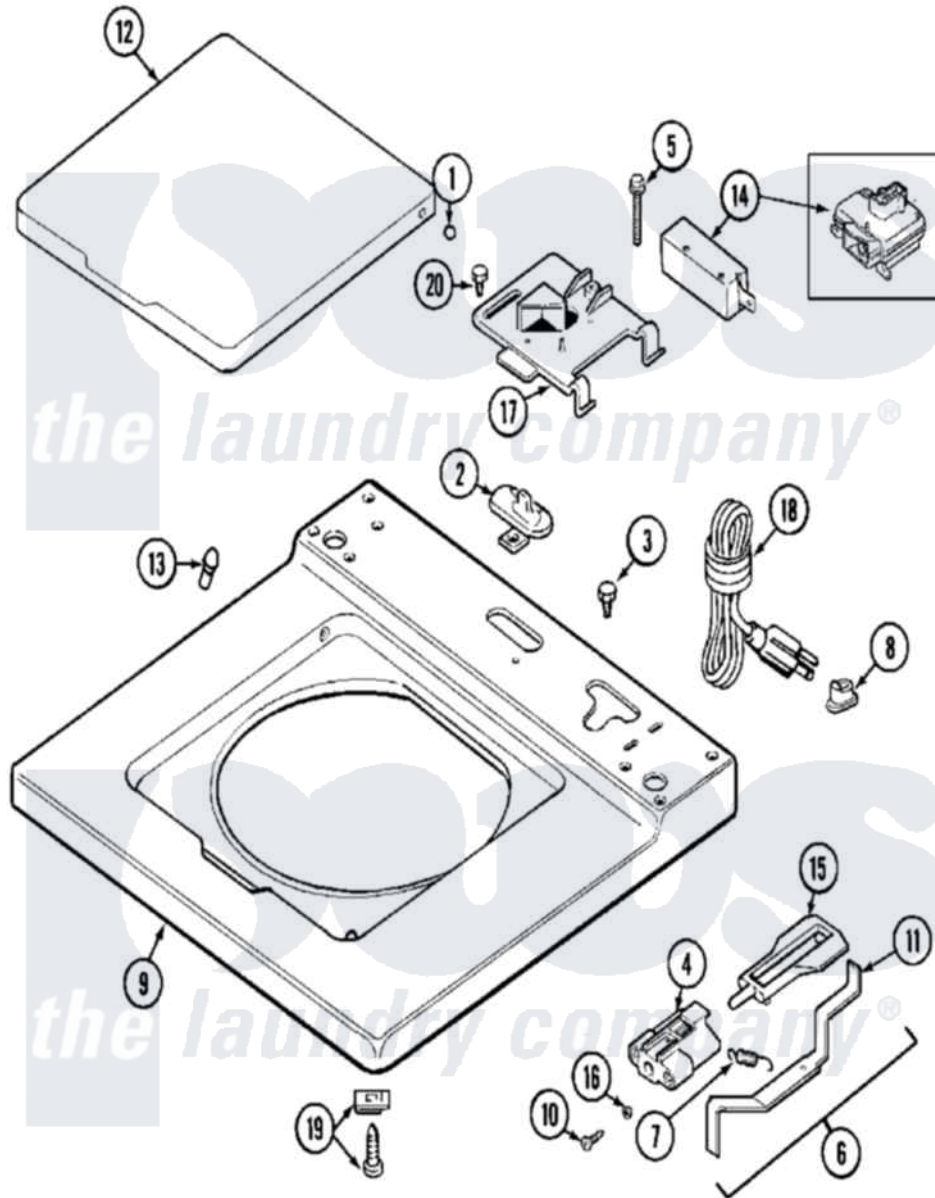


# Maytag MAT12PDCBQ 03 - TOP



Maytag [Residential Maytag MAT12PDCBQ Washer Parts](#) Parts Diagram 03 - TOP  
 Click on the part number to view part

Item	Original Part Number	Replaced By	Status	Part Description
001	<a href="#">211726</a>			Hinge, Ball Lid
002	207159	<a href="#">489355</a>		Screw, 8 X 1/2
"	<a href="#">22001298</a>			Cap, Top Cover
003	210186	<a href="#">3370225</a>		Screw
004	<a href="#">22002135</a>			Bracket, Unbalance
005	<a href="#">213501</a>			Screw, No.6-20 X 1-1/8 Inch
006	<a href="#">22001681</a>			Unbalance Lever Assembly
"	<a href="#">22001969</a>			Unbalance Lever Assembly
007	<a href="#">213720</a>			Spring, Lid Switch
008	<a href="#">211881</a>			Grommet, Cord Part Not Used- Gas Models Only
009	<a href="#">22001970</a>			Cover Assembly, Top
"	22001971	<a href="#">22002888</a>		Cover, Top
"	<a href="#">22002888</a>			Cover, Top
"	<a href="#">22002926</a>			Screw, Hex Head
010	910182	<a href="#">25-7809</a>		Screw, No.6-20 1/2 Flthd Torx
011	<a href="#">22001672</a>			Lever, Unbalance

"	<a href="#">22001968</a>		Lever, Unbalance
012	<a href="#">22001341</a>		Lid W/Legend
"	22001342	<a href="#">22002656</a>	Lid, With Legend
"	<a href="#">22002656</a>		Lid, With Legend
013	<a href="#">212716</a>		Bumper, Lid
014	205415	<a href="#">279347</a>	Switch-Lid
"	22001967	<a href="#">12001908</a>	Switch-Lid
015	<a href="#">216255</a>		Plunger, Lid Switch
016	<a href="#">211500</a>		Washer, Bracket To Top Cover
017	<a href="#">22001678</a>		Bracket, Switch And Fuse
018	22001549	<a href="#">22003062</a>	Cord, Power
019	<a href="#">204445</a>		Screw And Fastener Assembly
020	207159	<a href="#">489355</a>	Screw, 8 X 1/2

*the laundry company*<sup>®</sup>

*the laundry company*<sup>®</sup>

*the laundry company*<sup>®</sup>