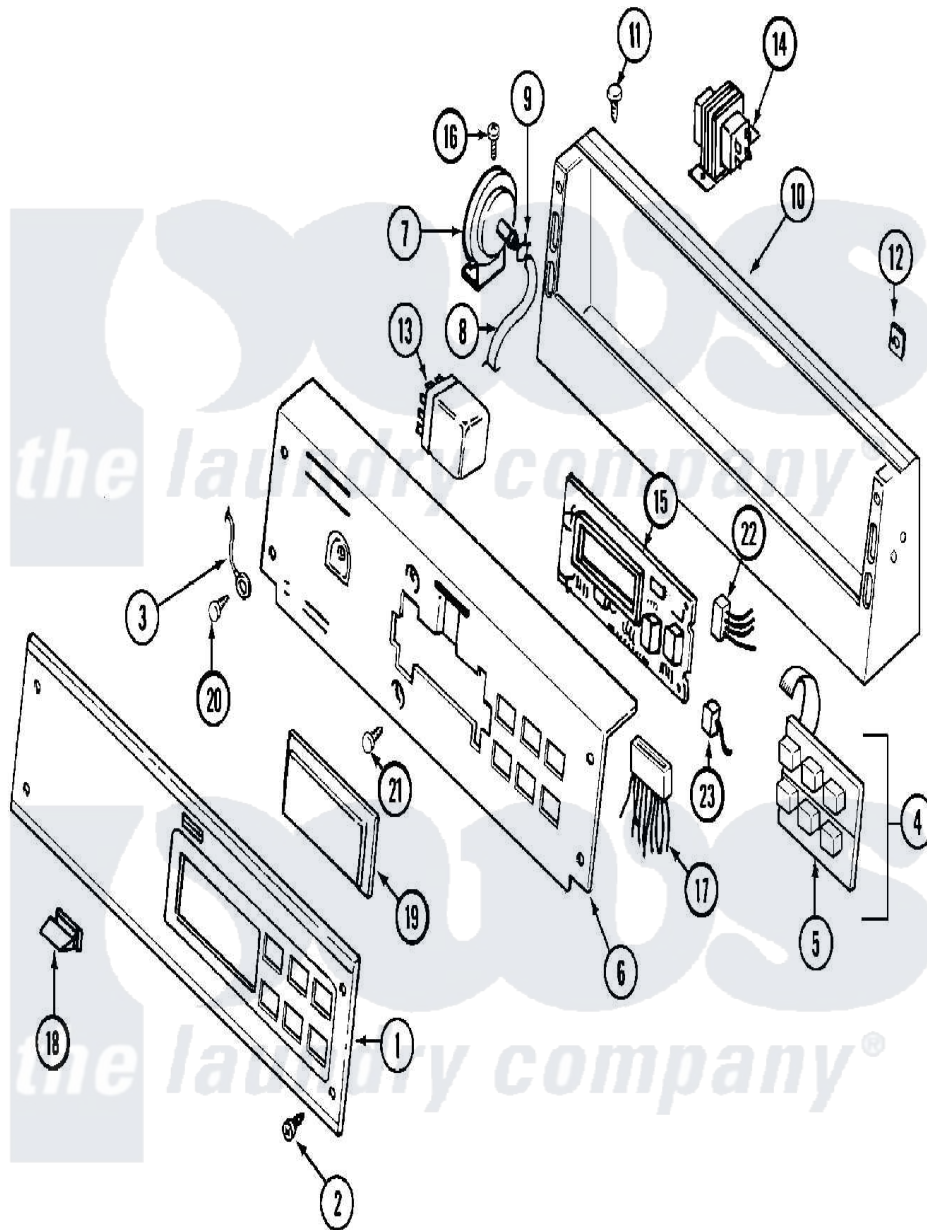


Maytag MAT12PDLAW 01 - CONTROL PANEL



Maytag [Residential Maytag MAT12PDLAW Washer Parts](#) Parts Diagram 01 - CONTROL PANEL
 Click on the part number to view part

Item	Original Part Number	Replaced By	Status	Part Description
001	2202536			Facia, Pd/Ps
002	215506			Screw, Control Panel Overlay
003	22001959			Wire, Ground
004	206808	W10135389		Push Button And Switch Assembly
"	215526			Screw, Circuit Board
005	33002863	W10131113		Push Button
006	22003098			Bracket, Back
"	22003099			Bracket, Back
007	2202532			Switch, Pressure - Commer
008	22001619			Tube, Water Level Switch
009	22003295	285655		Clamp, Hose
010	22004476			Cover, Control Bisque
"	2202540			Cover, Control Assembly
011	212276	W10116760		Screw
012	215003			Fastener, Panel And Bracket
013	206421			Relay, Motor Reversing

"	206824	W10133335	Relay, Motor
014	211294	90767	Screw, 8A X 3/8 HeX Washer Head Tapping
"	22001960		Transformer
"	Y313559		Screw
015	22002954		Deflector, Water
"	2202537		Board, Control
"	33001204		Stand-Off, Ccontrol Board
"	912077		Locknut, Reader Harness
016	211294	90767	Screw, 8A X 3/8 HeX Washer Head Tapping
017	2202538		Harness, Wire - PD
018	214610		Bumper, Lid
019	22001962	W10131114	Cover, Display
020	210186	3370225	Screw
021	215527	W10140652	Screw, 6-20 X 1/2
022	22001965		Optic Switch Assembly
023	22001966		Harness, Sensor Switch

