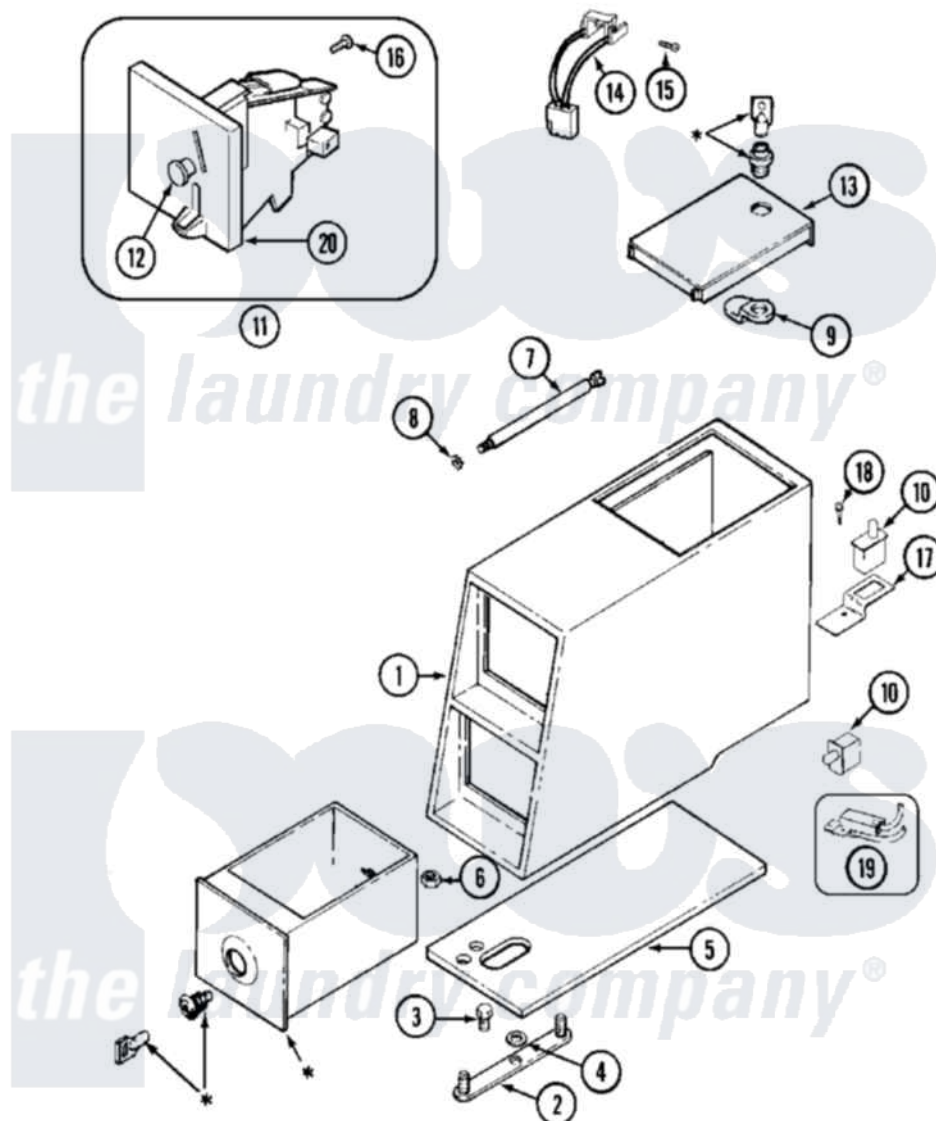


Maytag MAT12PDLAW 02 - CONTROL CENTER



* CONTACT YOUR COMMERCIAL LAUNDRY DISTRIBUTOR

Maytag [Residential Maytag MAT12PDLAW Washer Parts](#) Parts Diagram 02 - CONTROL CENTER
 Click on the part number to view part

Item	Original Part Number	Replaced By	Status	Part Description
001	22002480			Vault, Coin PD Coin Drop Supplied By Dist.
"	33002428	22002480		Vault, Coin PD Coin Drop Supplied By Dist.
002	22001810		Not Available	STRAP, MOUNTING
003	211294	90767		Screw, 8A X 3/8 HeX Washer Head Tapping
004	910309			Washer, Mounting Strap
005	22001870			Gasket, Coin Vault
"	22002599			Gasket, Coin Vault
006	Y052740	62739		Nut, Lock
007	213035			Bolt, Locking
008	910181			Lockwasher, Terminal Block
009	22003677			Nut, Locking Cam
010	33001250			Switch, Vault And Service Door
"	912012	3400409		Screw
011	22003678	22004112		Coin Drop Greenwald Us.25

012	216200	Face Plate Return Button
013	22003679	Timer Access Door Assembly
"	22003692	Timer Access Door Assembly
014	22001965	Optic Switch Assembly
015	314665	Screw, Switch Assembly
016	216068	Screw, Coin Drop
017	22001404	Bracket, Service Switch
018	212276	W10116760 Screw
019	22001966	Harness, Sensor Switch
020	33002647	Single Faceplate Assembly

Howes
the laundry company[®]

Howes
the laundry company[®]

Howes
the laundry company[®]