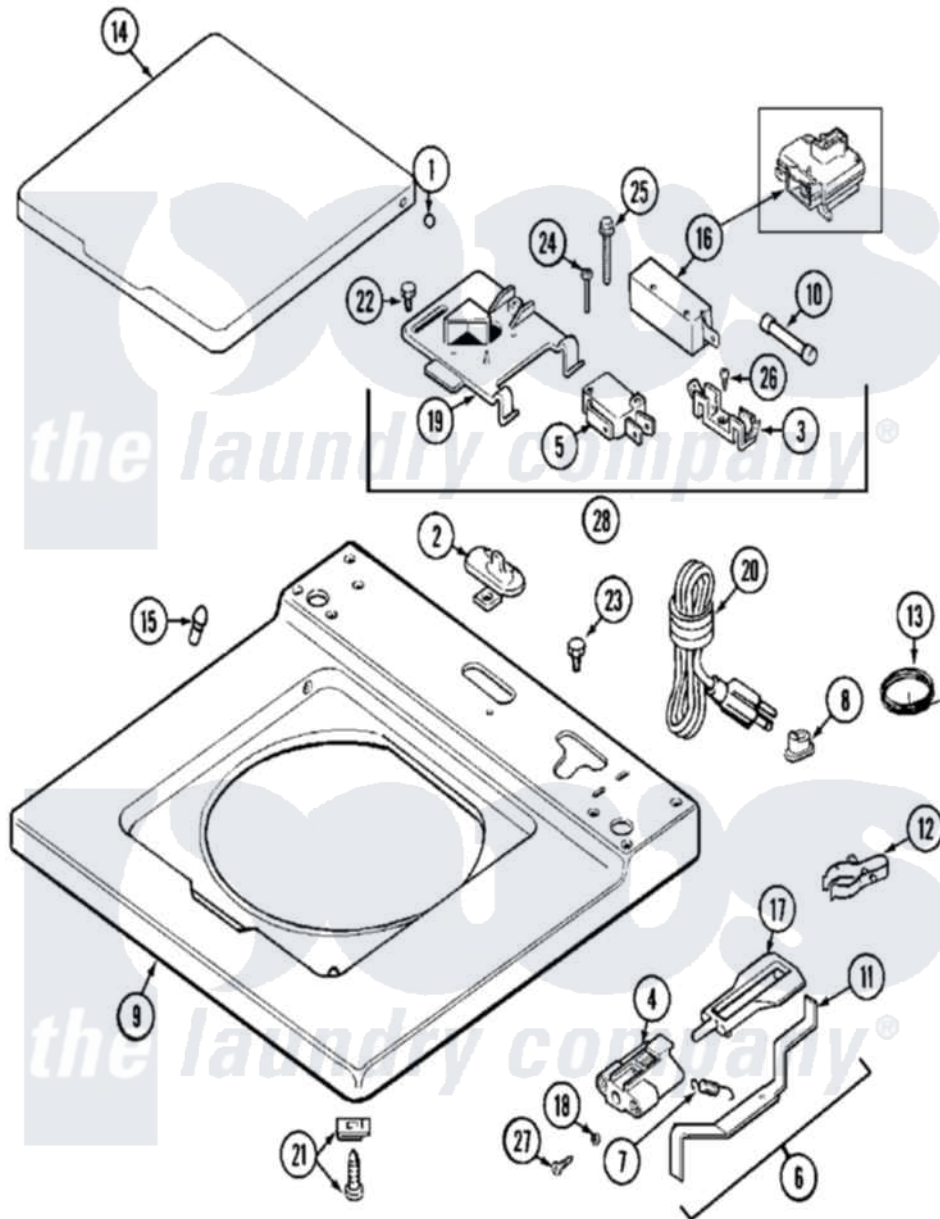


Maytag MAT13MNAGW 02 - TOP



Maytag [Residential Maytag MAT13MNAGW Washer Parts](#) Parts Diagram 02 - TOP
 Click on the part number to view part

Item	Original Part Number	Replaced By	Status	Part Description
001	211726			Hinge, Ball Lid
002	207159	489355		Screw, 8 X 1/2
"	22001298			Cap, Top Cover
003	207167			Block, Fuse
004	22002135			Bracket, Unbalance
"	NLA		Not Available	BRACKET, PLUNGER
005	207166			Switch, Check
006	22001681			Unbalance Lever Assembly
"	22001969			Unbalance Lever Assembly
007	213720			Spring, Lid Switch
008	211881			Grommet, Cord Part Not Used- Gas Models Only
"	216183			Grommet, Cord Export
"	22002532	216183		Grommet, Cord Export
009	22001679	22002137		Cover Assembly, Top
"	22001892	22002175		Cover Assembly, Top
"	22001920			Fuse

"	22001921	10091101	Block-Fuse
010	207168	22001682	Switch Assembly, Lid W/4amp Fuse
011	22001672		Lever, Unbalance
"	22001968		Lever, Unbalance
012	301548		Clamp, Ground Wire
013	204807		Ground Wire, Supp. Plte To Top Cover
"	210186	3370225	Screw
014	22001597		Lid
"	22001893		Lid
015	212716		Bumper, Lid
016	205415	279347	Switch-Lid
"	22001922		Sub-Harness
"	22001967	12001908	Switch-Lid
"	22002383	22003813	Lid Switch
017	216255		Plunger, Lid Switch
018	211500		Washer, Bracket To Top Cover
019	22001678		Bracket, Switch And Fuse
020	205056	204590	Cord, Power
"	208569		Not Available
"	208746		Not Available
"	208749		Not Available
"	22001351		Not Available
"	22001549	22003062	Cord, Power
021	204445		Screw And Fastener Assembly
022	207159	489355	Screw, 8 X 1/2
023	210186	3370225	Screw
024	22001352		Screw, Check Switch
025	213501		Screw, No.6-20 X 1-1/8 Inch
026	Y311711		Screw, Fuse Block
027	910182	25-7809	Screw, No.6-20 1/2 Flthd Torx
028	22001682		Switch Assembly, Lid W/4amp Fuse

