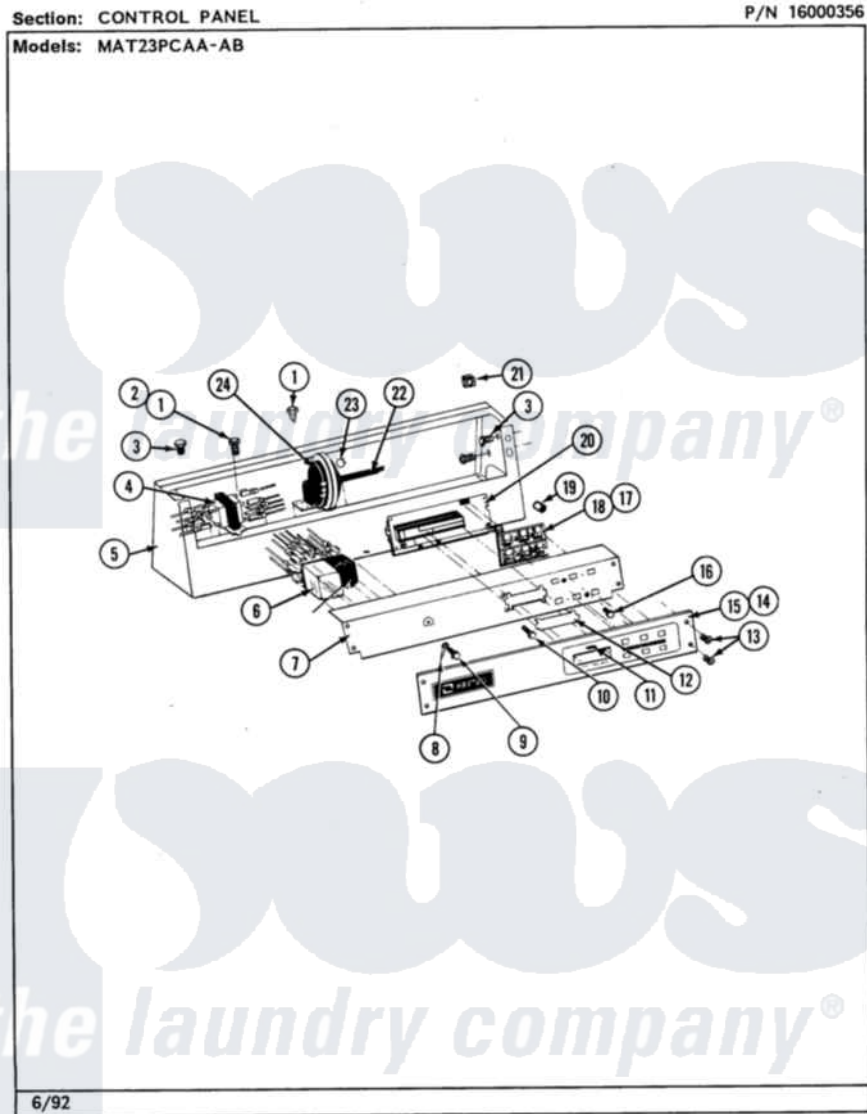


# Maytag MAT23PCAAL 01 - CONTROL PANEL



2

Maytag [Residential Maytag MAT23PCAAL Washer Parts](#) Parts Diagram 01 - CONTROL PANEL  
Click on the part number to view part

Item	Original Part Number	Replaced By	Status	Part Description
001	211294	<a href="#">90767</a>		Screw, 8A X 3/8 HeX Washer Head Tapping
002	<a href="#">Y313559</a>			Screw
003	212276	<a href="#">W10116760</a>		Screw
004	<a href="#">207766</a>			Transformer
005	<a href="#">206780</a>			Control Cover Assembly
"	206780L	<a href="#">206780</a>		Control Cover Assembly
"	NLA		Not Available	(H. WHEAT)
006	<a href="#">206421</a>			Relay, Motor Reversing
"	212949	<a href="#">22001866</a>		Screw, Relay
"	<a href="#">215273</a>			Clip, Spring Relay
007	206825	<a href="#">215516</a>		Plate, Back-Up
"	NLA		Not Available	(ALM)
008	<a href="#">205810</a>			Wire, Ground
009	Y314322	<a href="#">211251</a>		Screw, Transformer
010	<a href="#">215526</a>			Screw, Circuit Board
011	<a href="#">214610</a>			Bumper, Lid

012	215515	Not Available	COVER, DISPLAY
013	<a href="#">215506</a>		Screw, Control Panel Overlay
014	<a href="#">215519</a>		Panel, Control
015	207767	<a href="#">22002954</a>	Deflector, Water
016	215527	<a href="#">W10140652</a>	Screw, 6-20 X 1/2
017	215517	<a href="#">W10131113</a>	Push Button
018	206808	<a href="#">W10135389</a>	Push Button And Switch Assembly
019	<a href="#">Y215513</a>		Standoff, Circuit Board
020	<a href="#">206828</a>		Battery
"	215510	Not Available	SUPPORT, PC BOARD
"	<a href="#">912077</a>		Locknut, Reader Harness
"	NLA	Not Available	CIRCUIT BOARD ASSEMBLY
021	<a href="#">215003</a>		Fastener, Panel And Bracket
022	212942	<a href="#">22001619</a>	Tube, Water Level Switch
023	410296	<a href="#">596669</a>	Clamp, Manifold
024	<a href="#">203970</a>		Switch, Water Level

