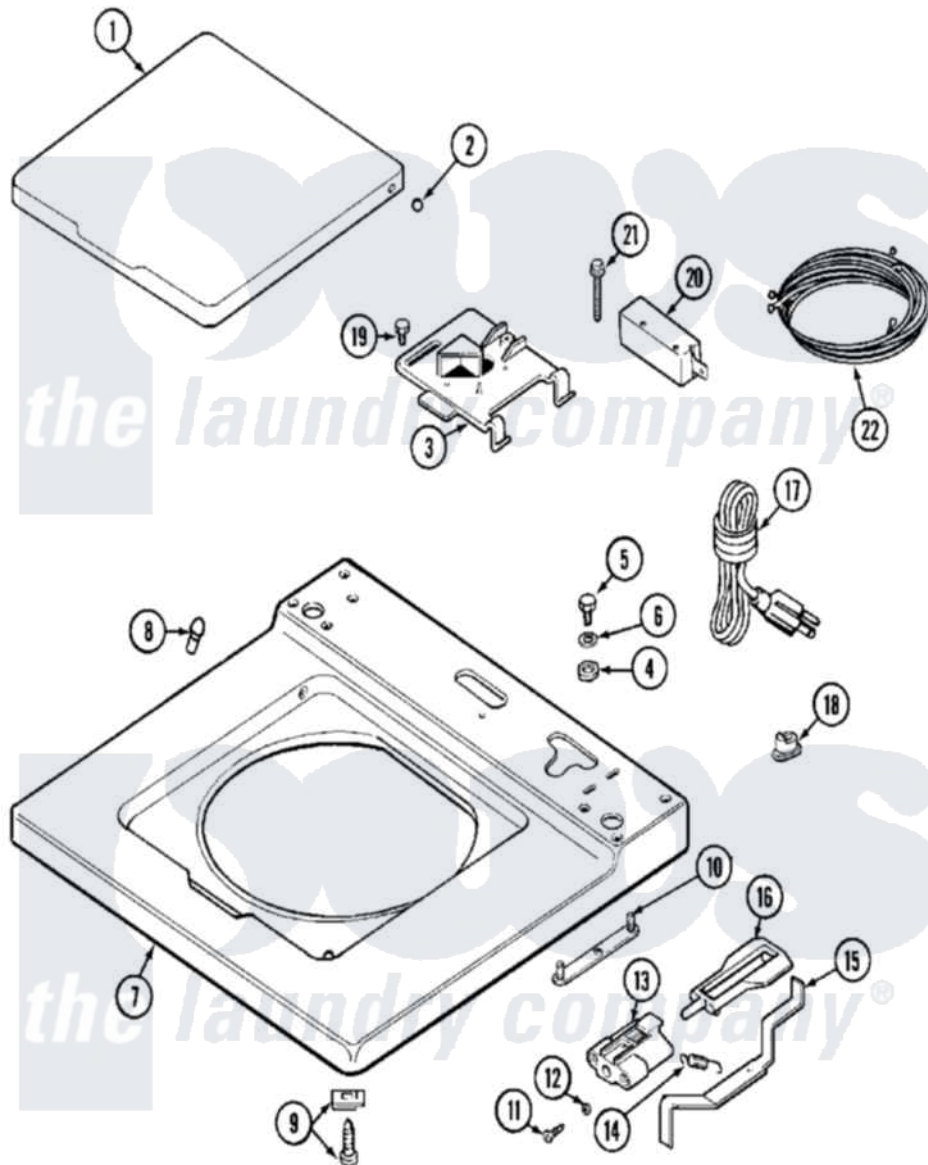


Maytag MAT25CSAGL 02 - TOP ASSEMBLY



Maytag [Residential Maytag MAT25CSAGL Washer Parts](#) Parts Diagram 02 - TOP ASSEMBLY
 Click on the part number to view part

| Item | Original Part Number | Replaced By | Status | Part Description |
|------|------------------------|--------------------------|---------------|---|
| 001 | 214901 | | Not Available | LID-WHITE |
| " | NLA | | Not Available | (ALM) |
| 002 | 211726 | | | Hinge, Ball Lid |
| 003 | Y215699 | 22001678 | | Bracket, Switch And Fuse |
| 004 | Y052740 | 62739 | | Nut, Lock |
| 005 | 211294 | 90767 | | Screw, 8A X 3/8 HeX Washer Head Tapping |
| 006 | 910309 | | | Washer, Mounting Strap |
| 007 | 207173 | | Not Available | TOP COVER ASSEMBLY (WHT) |
| " | NLA | | Not Available | (ALM) |
| 008 | 212716 | | | Bumper, Lid |
| 009 | 204445 | | | Screw And Fastener Assembly |
| 010 | NLA | | Not Available | MTG. STRAP---NA |
| 011 | 910182 | 25-7809 | | Screw, No.6-20 1/2 Flthd Torx |
| 012 | 211500 | | | Washer, Bracket To Top Cover |
| 013 | 201068 | | | Plunger And Bracket |

| | | | |
|-----|------------------------|------------------------|--|
| 013 | 204900 | | Assembly--W |
| " | NLA | Not Available | KIT, PLUNGER & BRACKET |
| 014 | 213720 | | Spring, Lid Switch |
| 015 | 215704 | | Lever, Unbalance |
| 016 | 213718 | | Plunger, Lid Switch |
| " | 216255 | | Plunger, Lid Switch |
| 017 | 204590 | | Cord, Power |
| " | 214519 | | LABEL, ELECTRICAL INSTR. PART NOT USED-GAS MODELS ONLY |
| 018 | 216183 | | Grommet, Cord Export |
| 019 | 207159 | 489355 | Screw, 8 X 1/2 |
| 020 | 206415 | | Switch, Lid |
| 021 | 213501 | | Screw, No.6-20 X 1-1/8 Inch |
| 022 | NLA | Not Available | HARNESS, WIRE (230V-50) |

