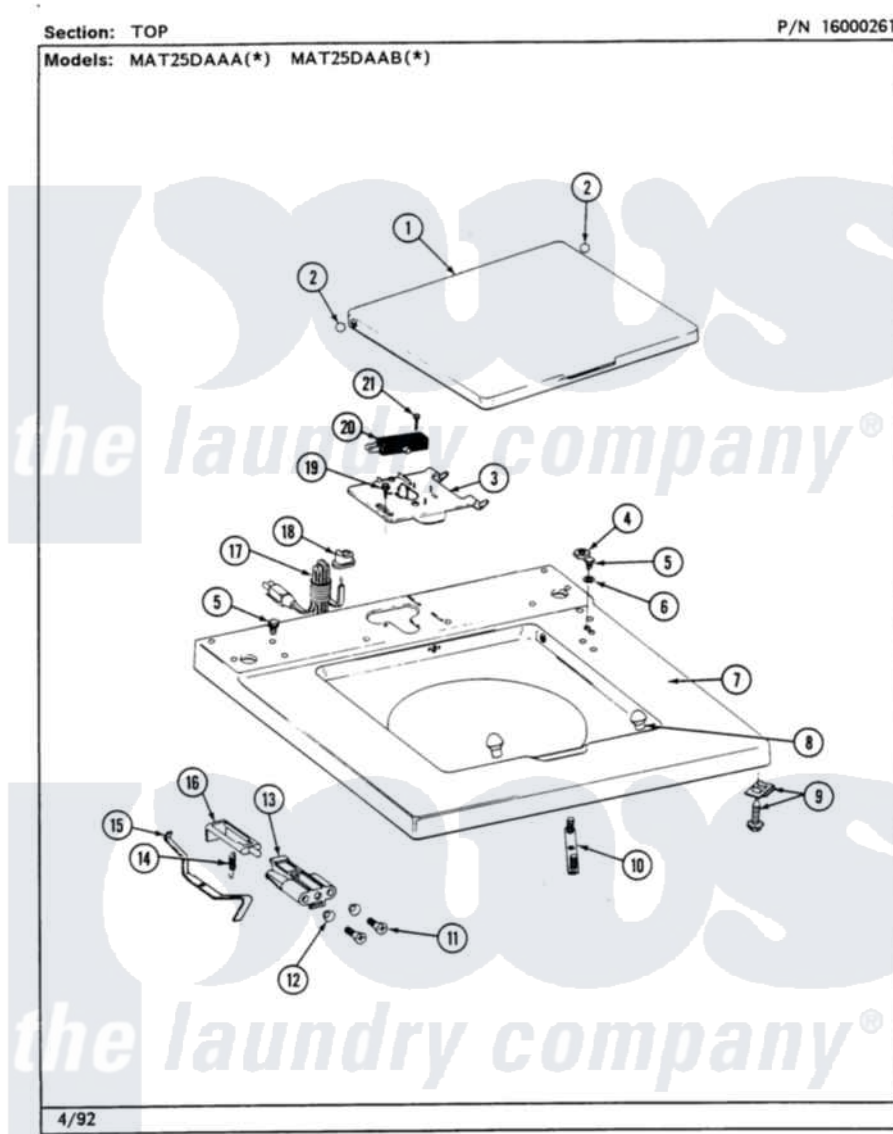


# Maytag MAT25DAAAM 02 - TOP



4

Maytag [Residential Maytag MAT25DAAAM Washer Parts](#) Parts Diagram 02 - TOP  
 Click on the part number to view part

Item	Original Part Number	Replaced By	Status	Part Description
001	214901		Not Available	LID-WHITE
"	NLA		Not Available	(ALM)
002	<a href="#">211726</a>			Hinge, Ball Lid
003	Y215699	<a href="#">22001678</a>		Bracket, Switch And Fuse
004	Y052740	<a href="#">62739</a>		Nut, Lock
005	211294	<a href="#">90767</a>		Screw, 8A X 3/8 HeX Washer Head Tapping
006	<a href="#">910309</a>			Washer, Mounting Strap
007	207173		Not Available	TOP COVER ASSEMBLY (WHT)
"	NLA		Not Available	(ALM)
008	<a href="#">212716</a>			Bumper, Lid
009	<a href="#">204445</a>			Screw And Fastener Assembly
010	NLA		Not Available	STRAP, MOUNTING
011	910182	<a href="#">25-7809</a>		Screw, No.6-20 1/2 Flthd Torx
012	<a href="#">211500</a>			Washer, Bracket To Top Cover
013	<a href="#">201068</a>			Plunger And Bracket

013	<a href="#">204900</a>		Assembly--W
"	NLA	Not Available	PLUNGER & BRACKET KIT
014	<a href="#">213720</a>		Spring, Lid Switch
015	<a href="#">215704</a>		Lever, Unbalance
016	<a href="#">216255</a>		Plunger, Lid Switch
"	NLA	Not Available	PLUNGER, LID SWITCH
017	<a href="#">204590</a>		Cord, Power
018	<a href="#">211881</a>		Grommet, Cord Part Not Used- Gas Models Only
019	207159	<a href="#">489355</a>	Screw, 8 X 1/2
020	<a href="#">206415</a>		Switch, Lid
021	<a href="#">213501</a>		Screw, No.6-20 X 1-1/8 Inch

**Howes**  
the laundry company®

**Howes**  
the laundry company®

**Howes**  
the laundry company®