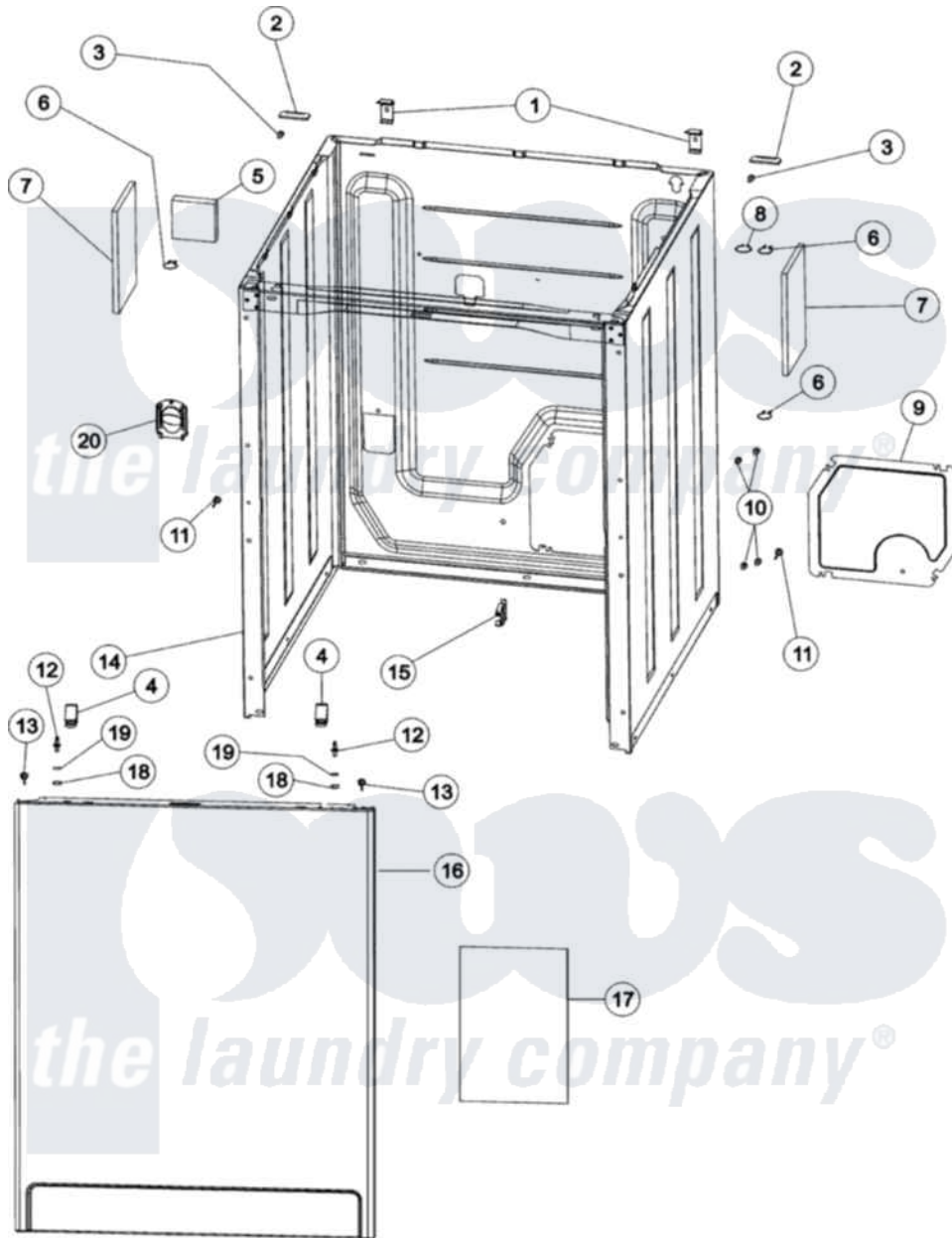


# Maytag MAV3757AWW 02 - CABINET & FRONT PANEL



Maytag Residential Maytag MAV3757AWW Washer Parts Parts Diagram 02 - CABINET & FRONT PANEL  
 Click on the part number to view part

| Item | Original Part Number     | Replaced By            | Status        | Part Description     |
|------|--------------------------|------------------------|---------------|----------------------|
| 1    | <a href="#">35-2846</a>  |                        |               | Hinge, Cabinet Top   |
| 2    | <a href="#">35-4128</a>  |                        |               | Pad, Hinge           |
| 3    | 25-7732                  | <a href="#">681414</a> |               | Screw, 10AB X 1/2    |
| 4    | <a href="#">25-7220</a>  |                        |               | Clip, Cabinet Top    |
| 5    | 35-0706                  |                        | Not Available | PAD, FOAM            |
| 6    | 31001320                 | <a href="#">16515</a>  |               | Clip                 |
| 7    | <a href="#">21002011</a> |                        |               | Pad, Cabinet         |
| 8    | <a href="#">25-7430</a>  |                        |               | Clip, Wiring Harness |
| 9    | <a href="#">21001527</a> |                        |               | Shield, Rear         |
| 10   | 25-7733                  | <a href="#">681414</a> |               | Screw, 10AB X 1/2    |
| 11   | <a href="#">21001829</a> |                        |               | Post, Locating       |
| 12   | <a href="#">53-0643</a>  |                        |               | Pin, Locator         |
| "    | <a href="#">21001874</a> |                        |               | Outlet, Drain Hose   |
| 13   | 25-7732                  | <a href="#">681414</a> |               | Screw, 10AB X 1/2    |
| 14   | <a href="#">21001871</a> |                        |               | Cabinet              |
| 15   | <a href="#">22002765</a> |                        |               | Clip, Hose           |

|    |                          |   |
|----|--------------------------|---|
| 16 | <a href="#">35-2084</a>  | Panel, Front                                  |
| 17 | <a href="#">21001281</a> | Damper, Sound Pad                             |
| 18 | 25-0224                  | <a href="#">3400029</a><br>Nut, Adapter Plate |
| 19 | <a href="#">35-4129</a>  | Bumper, Cabinet                               |
| 20 | <a href="#">21001874</a> | Outlet, Drain Hose                            |

