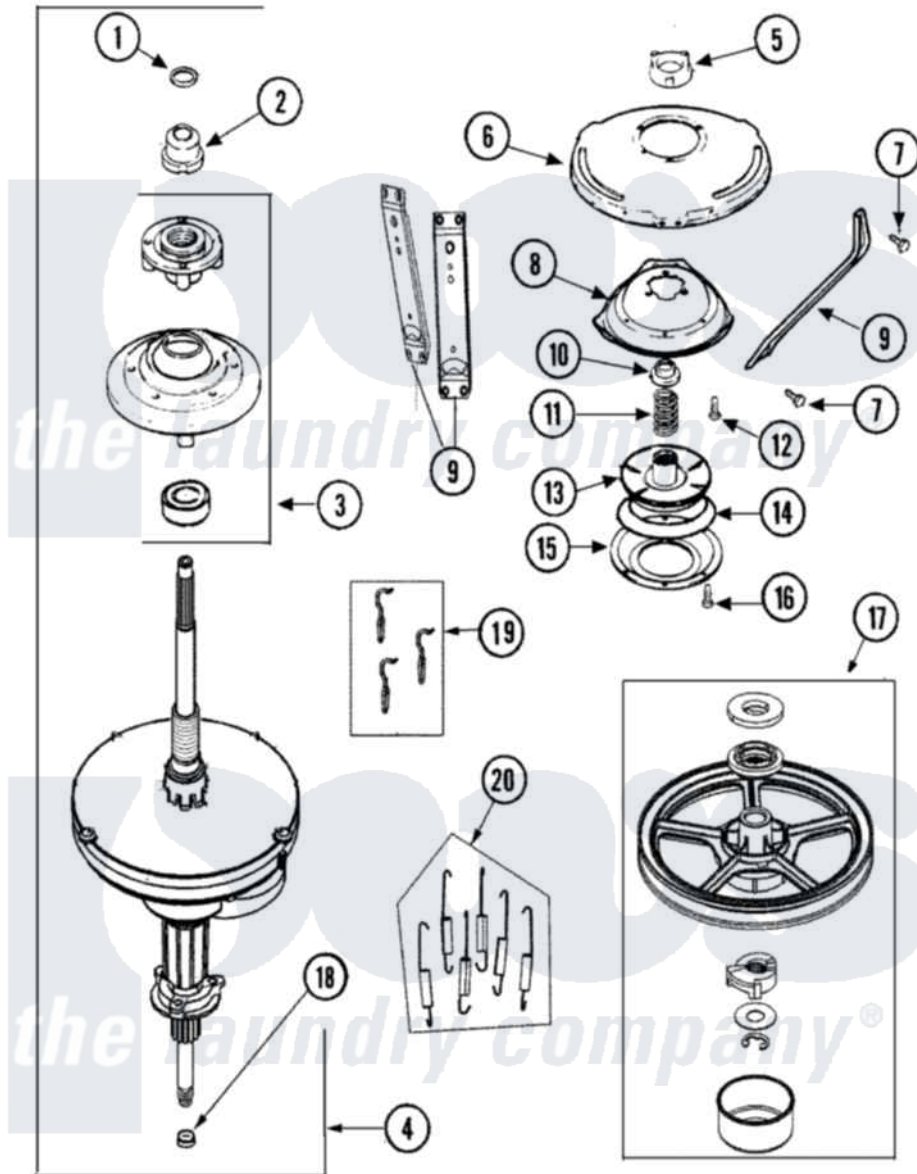


Maytag MAV551EEWW 06 - TRANSMISSION



Maytag Residential Maytag MAV551EEWW Washer Parts Parts Diagram 06 - TRANSMISSION
 Click on the part number to view part

| Item | Original Part Number | Replaced By | Status | Part Description |
|------|--------------------------|---------------------------|--------|---------------------------------|
| 1 | 25-7941 | | | "O" Ring, Agr Drive Shaft |
| 2 | 21001533 | 35-5655-1 | | Seal |
| 3 | 21001868 | W10219156 | | Tub Seal |
| 4 | 21001867 | 35-6615 | | Ht TranS S |
| 5 | 21001511 | 12001562 | | Bearing Assembly |
| 6 | 21001518 | | | Support, Tub |
| 7 | 21001858 | | | Screw 5/16-18 x 1/2 |
| 8 | 21001163 | | | Housing, Suspension |
| 9 | 21001532 | | | Brace, Tub |
| 10 | 35-2017 | | | Retainer, Brake Spring |
| 11 | 21001910 | | | Spring, Brake |
| 12 | 21001509 | | | Screw, High Performance Plastic |
| 13 | 21002010 | 35-6714 | | Brake Roto |
| 14 | 21002026 | | | Snubber |
| 15 | 35-6918 | | | Stator, Brake |
| 16 | 21001065 | | | Screw, No.10-24 x .50 Hxnibhd |

| | | | |
|----|--------------------------|--------------------------|-------------------------|
| 17 | 12002213 | | Thrust Bearing Kit |
| 18 | 35-2010 | 207843 | Lip Seal Repair Kit |
| 19 | 21001166 | | Hook, Suspension Spring |
| 20 | 21002065 | 12002773 | Spring |

