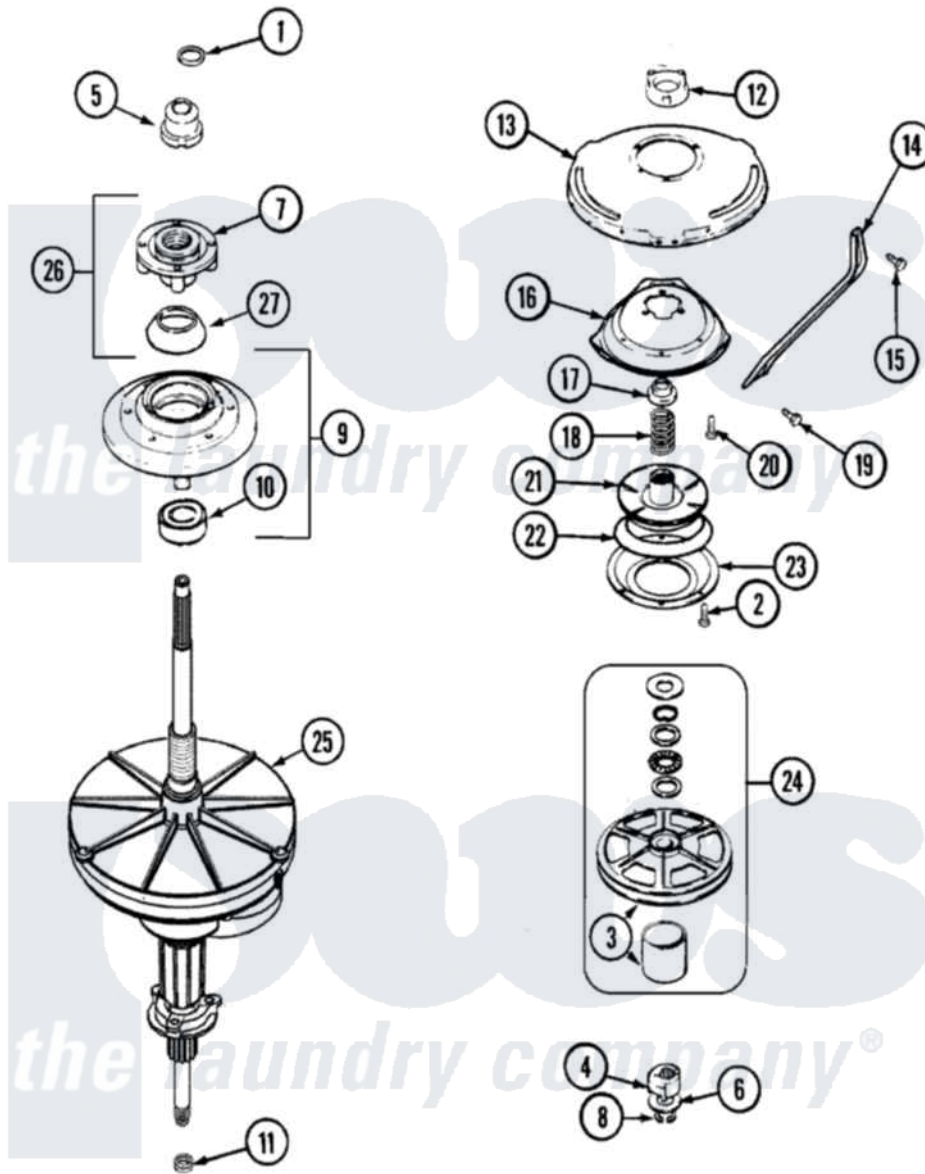


# Maytag MAV7550AWW 05 - TRANSMISSION



Maytag [Residential Maytag MAV7550AWW Washer Parts](#) Parts Diagram 05 - TRANSMISSION  
 Click on the part number to view part

| Item | Original Part Number     | Replaced By               | Status | Part Description              |
|------|--------------------------|---------------------------|--------|-------------------------------|
| 1    | <a href="#">25-7941</a>  |                           |        | "O" Ring, Agr Drive Shaft     |
| 2    | <a href="#">21001065</a> |                           |        | Screw, No.10-24 x .50 Hxnibhd |
| 3    | 12001797                 | <a href="#">12002213</a>  |        | Thrust Bearing Kit            |
| 4    | LA-2007                  | <a href="#">12002213</a>  |        | Thrust Bearing Kit            |
| 5    | 21001533                 | <a href="#">35-5655-1</a> |        | Seal                          |
| 6    | <a href="#">35-2132</a>  |                           |        | Washer, 1.25ODX.530IDX.032    |
| "    | <a href="#">35-2082</a>  |                           |        | Washer, 1.25ODX.530IDX.062    |
| 7    | 21001515                 | <a href="#">12001598</a>  |        | Tub Seal Assembly--W          |
| 8    | <a href="#">25-7854</a>  |                           |        | Ring, Retaining               |
| 9    | <a href="#">12001598</a> |                           |        | Tub Seal Assembly--W          |
| 10   | <a href="#">35-2205</a>  |                           |        | Bearing, Spin                 |
| 11   | 35-2010                  | <a href="#">207843</a>    |        | Lip Seal Repair Kit           |
| 12   | <a href="#">35-2205</a>  |                           |        | Bearing, Spin                 |
| "    | 21001511                 | <a href="#">12001562</a>  |        | Bearing Assembly              |
| 13   | <a href="#">21001518</a> |                           |        | Support, Tub                  |
| 14   | <a href="#">21001532</a> |                           |        | Brace, Tub                    |

|    |                          |                          |                                   |
|----|--------------------------|--------------------------|-----------------------------------|
| 15 | 25-7895                  | <a href="#">21001858</a> | Screw 5/16-18 x 1/2               |
| 16 | <a href="#">21001163</a> |                          | Housing, Suspension               |
| 17 | <a href="#">35-2017</a>  |                          | Retainer, Brake Spring            |
| 18 | 31001285                 | <a href="#">21001910</a> | Spring, Brake                     |
| 19 | 25-7930                  | <a href="#">21001858</a> | Screw 5/16-18 x 1/2               |
| 20 | <a href="#">21001509</a> |                          | Screw, High Performance Plastic   |
| 21 | 35-2948                  | <a href="#">35-6714</a>  | Brake Roto                        |
| 22 | 21001161                 | <a href="#">21002026</a> | Snubber                           |
| 23 | 35-2018                  | <a href="#">35-6918</a>  | Stator, Brake                     |
| 24 | 12500036                 | <a href="#">12002213</a> | Thrust Bearing Kit                |
| 25 | 21001536                 | <a href="#">35-6615</a>  | Ht TranS S                        |
| 26 | 21001508                 | <a href="#">12001561</a> | Bearing And Seal Housing Assembly |
| 27 | <a href="#">35-2974</a>  |                          | Tub Seal/Hub Assembly             |

*the laundry company*<sup>®</sup>

**PLWS**  
*the laundry company*<sup>®</sup>

**PLWS**  
*the laundry company*<sup>®</sup>