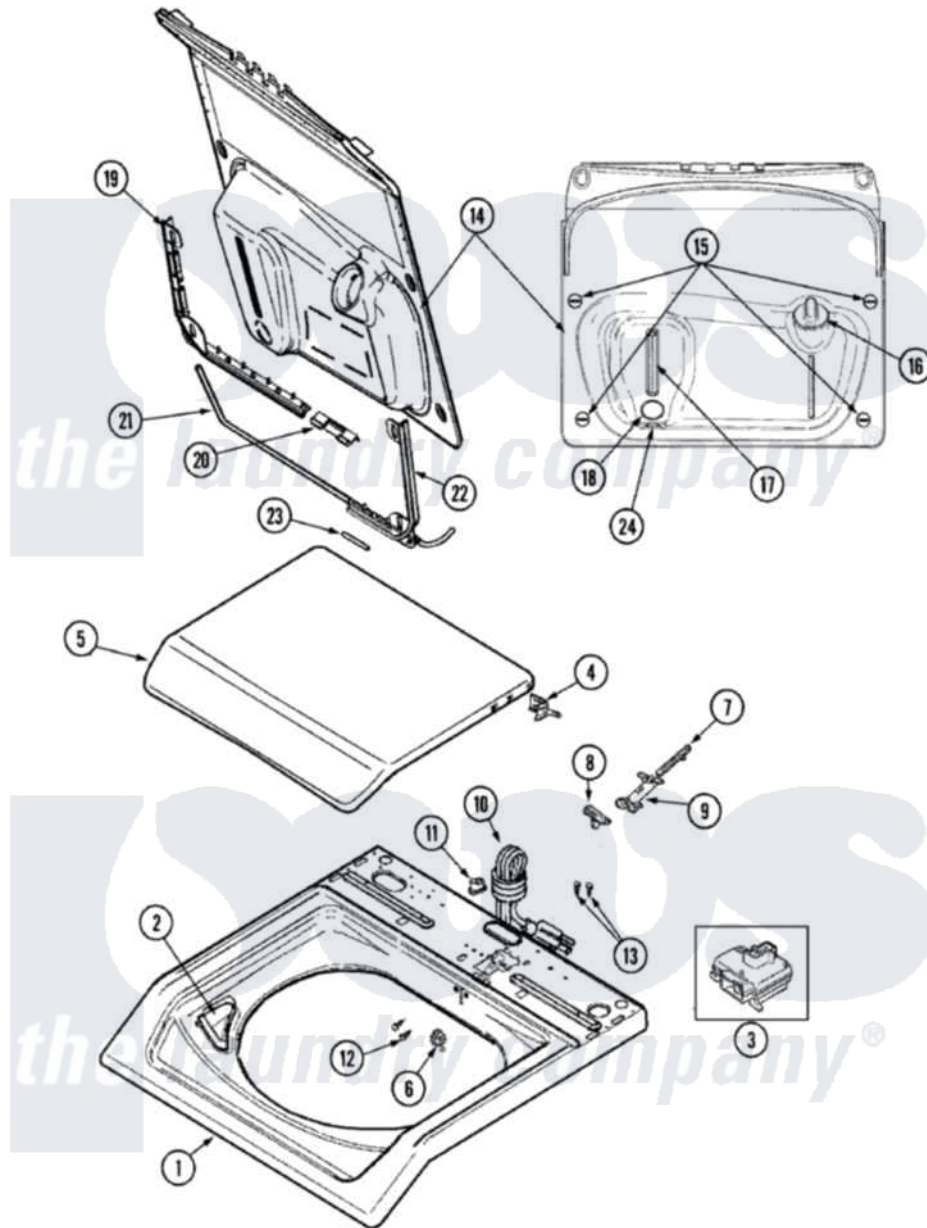


# Maytag MAV8500AWW 04 - TOP



Maytag [Residential Maytag MAV8500AWW Washer Parts](#) Parts Diagram 04 - TOP  
 Click on the part number to view part

Item	Original Part Number	Replaced By	Status	Part Description
1	<a href="#">22002739</a>			Cover, Top
2	<a href="#">22002835</a>			Cup, Bleach
3	22001967	<a href="#">12001908</a>		Switch-Lid
4	<a href="#">22002751</a>			Hinge Pin
5	22002872		Not Available	LID, WASHER (WHT-W/MEDALLION)
6	<a href="#">22002753</a>			Bushing, Hinge
7	<a href="#">22002754</a>			Plunger
8	22002755	<a href="#">22003941</a>		Lid Cam
9	<a href="#">22002757</a>			Guide Tube
10	22002837	<a href="#">22003062</a>		Cord, Power
11	33002053	<a href="#">211881</a>		Grommet, Cord Part Not Used-Gas Models Only
12	<a href="#">2016090</a>			Screw, Lid Switch To Bracket
13	Y705026	<a href="#">3370225</a>		Screw
14	22002773		Not Available	DOSING LID ASSY.
15	<a href="#">22002774</a>			Lock, Twist

16	<a href="#">22002775</a>	Not Available	CAP
17	<a href="#">22002776</a>		Slider, Sight Glass
18	<a href="#">22002777</a>		Plunger Valve Assembly
19	<a href="#">22002771</a>		Retainer, Torsion Rod
20	<a href="#">22002772</a>		Support, Ctr.
21	<a href="#">22002842</a>		Torsion Rod
22	22002843	Not Available	RETAINER, TORSION ROD (RT)
23	<a href="#">22002844</a>		Bearing, Torsion Rod
24	<a href="#">22002779</a>		Retainer, Plunger Valve

