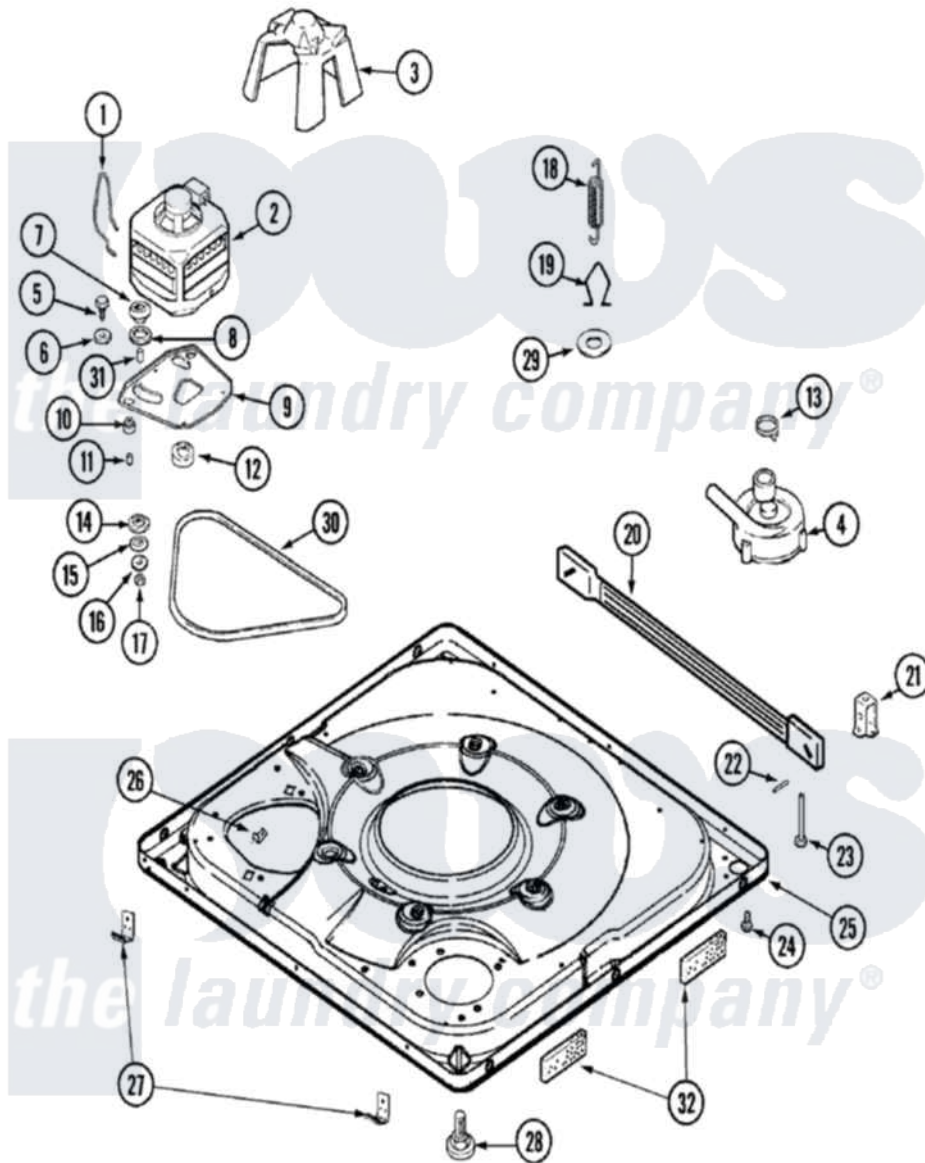


# Maytag MAV8601AWQ 01 - BASE



Maytag [Residential Maytag MAV8601AWQ Washer Parts](#) Parts Diagram 01 - BASE  
 Click on the part number to view part

Item	Original Part Number	Replaced By	Status	Part Description
1	<a href="#">22004376</a>			Spring, Motor Pivot
2	21001506	<a href="#">21001950</a>		MoTor, 2SP 1/2hp 120V/60Hz Hi-Tor
"	22004297	<a href="#">21001950</a>		MoTor, 2SP 1/2hp 120V/60Hz Hi-Tor
"	21001750	<a href="#">21001950</a>		MoTor, 2SP 1/2hp 120V/60Hz Hi-Tor
3	<a href="#">22002019</a>			Screw, Wire Clip To Motor Cnt
"	<a href="#">22002721</a>			Shield, Motor
4	22004055	<a href="#">8534097</a>		Screw
"	21001873	<a href="#">35-6780</a>		Pump-Water
"	<a href="#">22003438</a>			Sleeve, Pump
5	25-7833	<a href="#">21001977</a>		Screw
6	<a href="#">25-7834</a>			Washer, Motor/Base Screw
7	<a href="#">33-9946</a>			Isolator, Motor
8	<a href="#">35-3570</a>			Washer, Motor Pivot
9	<a href="#">35-2065</a>			Pad, Motor Plate

"	21001366	<a href="#">21001783</a>	Plate And Screw Assembly
"	22003817	<a href="#">3370225</a>	Screw
10	<a href="#">22004348</a>		Slide, Motor Pivot
"	<a href="#">35-3646</a>		Isolator, Motor Plate
"	<a href="#">35-3571</a>		Slide, Motor Pivot
11	<a href="#">25-7831</a>		Spacer, Mounting
12	<a href="#">33-9946</a>		Isolator, Motor
13	22002853	<a href="#">285655</a>	Clamp, Hose
14	<a href="#">35-3571</a>		Slide, Motor Pivot
15	<a href="#">33-9967</a>		Washer, Motor Isolator
16	<a href="#">25-7047</a>		Washer, Flat
17	25-7325	<a href="#">Y707702</a>	Locknut
18	<a href="#">21001598</a>		Spring, Suspension
19	<a href="#">21001166</a>		Hook, Suspension Spring
20	21001754	<a href="#">21001881</a>	Bar, Stabilizer
21	<a href="#">35-2046</a>		Bracket, Stabilizer
22	<a href="#">35-2052</a>		Pin, Stabilizer
23	35-3020	<a href="#">22004469</a>	Leg And Foot Self Stabalizing
24	<a href="#">33002190</a>		SCrew, C BraCe, BraCket, Cabinet
25	<a href="#">22003390</a>		Base
"	22003817	<a href="#">3370225</a>	Screw
26	<a href="#">25-7845</a>		Speednut, Motor
27	<a href="#">33002190</a>		SCrew, C BraCe, BraCket, Cabinet
"	<a href="#">22004045</a>		Clip, Lower Front Panel
"	<a href="#">22002239</a>		Clip, Front Panel
28	<a href="#">25001119</a>		Foot And Pad Assembly
29	<a href="#">Y25-7951</a>		Washer, Suspension Hook
30	<a href="#">22003483</a>		Belt, Drive
31	<a href="#">25-7830</a>		Spacer
32	<a href="#">22002782</a>		Pad, Foam

