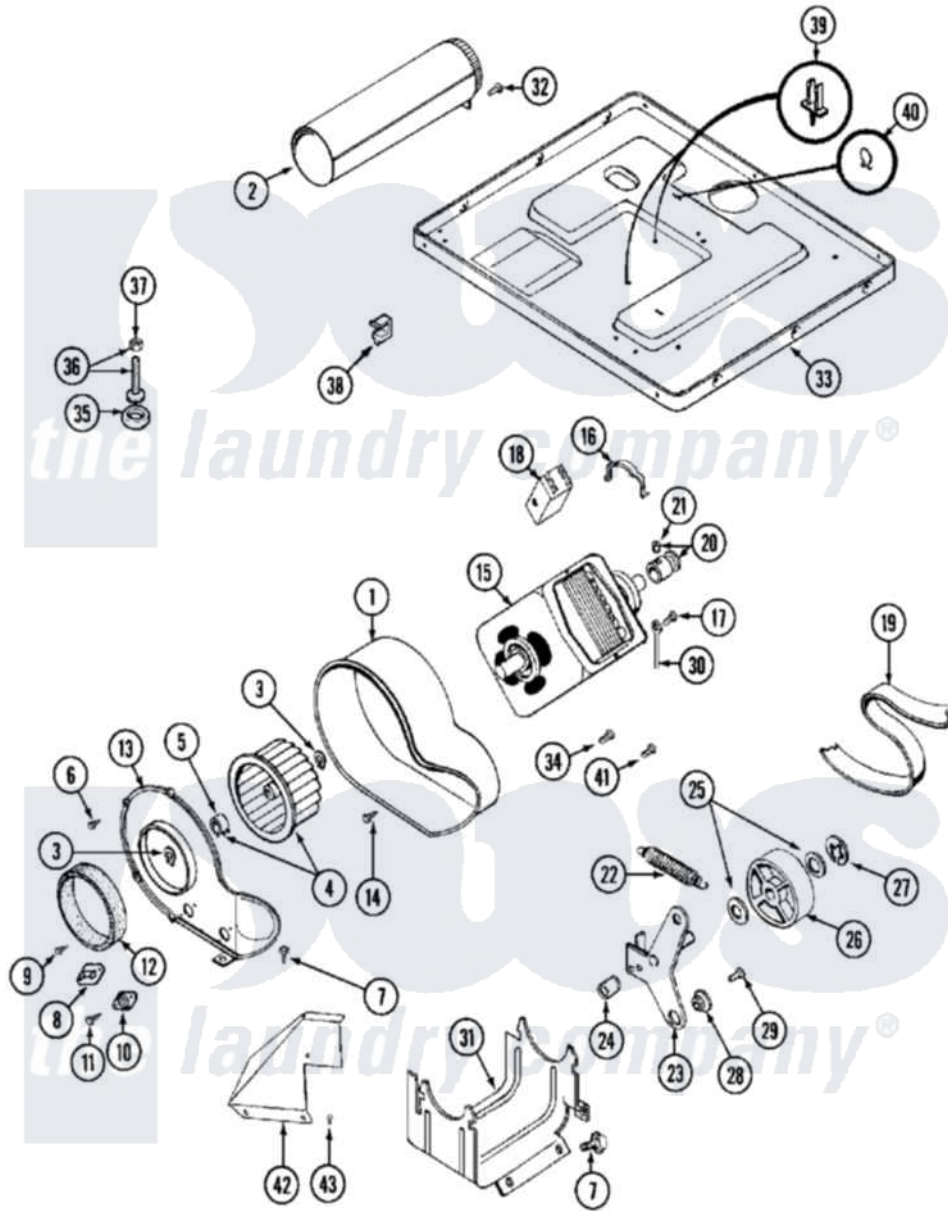


# Maytag MDE10CSAGW 08 - MOTOR DRIVE



Maytag Residential Maytag MDE10CSAGW Dryer Parts Parts Diagram 08 - MOTOR DRIVE  
 Click on the part number to view part

| Item | Original Part Number    | Replaced By               | Status        | Part Description  |
|------|-------------------------|---------------------------|---------------|---|
| 001  | <a href="#">Y312893</a> |                           |               | Housing, Blower   |
| 002  | Y303442                 |                           |               | EXHAUST DUCT ASSEMBLY                                   |
| 003  | 410233                  | <a href="#">9703438</a>   |               | Ring-Retrn  |
| 004  | <a href="#">Y303836</a> |                           |               | Blower Wheel Assembly And Clamp                         |
| 005  | <a href="#">312967</a>  |                           |               | Clamp, Blower Housing                                   |
| 006  | Y312961                 | <a href="#">W10116751</a> |               | Screw   |
| 007  | <a href="#">Y313561</a> |                           |               | Screw----NA   |
| 008  | <a href="#">303392</a>  |                           |               | Thermostat, Cycling                                     |
| "    | <a href="#">306967</a>  |                           |               | Thermostat, Multi-Temp Part<br>Not Used Mde26ct-MN Only |
| 009  | 211294                  | <a href="#">90767</a>     |               | Screw, 8A X 3/8 HeX Washer<br>Head Tapping              |
| 010  | <a href="#">306604</a>  |                           |               | Cut-Off, Thermal Part Not<br>Used                       |
| 011  | NLA                     |                           | Not Available | SCREW   |
| 012  | <a href="#">Y312901</a> |                           |               | Seal, Housing Cover                                     |
| 013  | 314778                  |                           | Not Available | COVER, BLOWER HOUSING                                   |

|     |                         |                           |               |   |
|-----|-------------------------|---------------------------|---------------|---|
| 014 | Y310632                 | <a href="#">1163839</a>   |               | Screw   |
| 015 | Y304656                 |                           | Not Available | MOTOR (240V 50HZ)   |
| 016 | <a href="#">Y015825</a> |                           |               | Clip, Motor To Motor Support                                    |
| 017 | 910343                  | <a href="#">488234</a>    |               | Screw 8-32 X 1/4  |
| 018 | 306207                  |                           | Not Available | (PROD. No.303358-8 & No.303358-9)                               |
| "   | NLA                     |                           | Not Available | SWITCH, MOTOR EXTERNAL START                                    |
| "   | Y303877                 |                           | Not Available | SWITCH, MOTOR EXTERNAL START No.303358-2, No.303358-4, 303358-7 |
| "   | <a href="#">Y303879</a> |                           |               | Switch, Motor External Start                                    |
| 019 | <a href="#">Y312959</a> |                           |               | Poly "V" Belt For Tumbler                                       |
| 020 | <a href="#">305186</a>  |                           |               | Pulley, Motor   |
| 021 | <a href="#">Y053241</a> |                           |               | Set Screw, Motor Pulley   |
| 022 | Y303945                 |                           |               | IDLER SPRING ASSY. W/PLUG                                       |
| 023 | Y303363                 | <a href="#">6-3033630</a> |               | Idler Arm   |
| 024 | Y313582                 | <a href="#">W10116756</a> |               | Spacer  |
| 025 | <a href="#">Y312527</a> |                           |               | Washer, Idler Shaft   |
| 026 | Y303705                 | <a href="#">6-3037050</a> |               | Pulley- ID  |
| 027 | 312958                  | <a href="#">354987</a>    |               | Ring, Retaining   |
| 028 | Y312894                 | <a href="#">315772</a>    |               | Sleeve, Idler Arm   |
| 029 | <a href="#">Y014874</a> |                           |               | Screw, Idler Arm And Sleeve                                     |
| 030 | <a href="#">901220</a>  |                           |               | Ground Wire   |
| 031 | NLA                     |                           | Not Available | SUPPORT, MOTOR  |
| 032 | Y310632                 | <a href="#">1163839</a>   |               | Screw   |
| 033 | <a href="#">Y305084</a> |                           |               | Base Assembly   |
| 034 | 211294                  | <a href="#">90767</a>     |               | Screw, 8A X 3/8 HeX Washer Head Tapping                         |
| 035 | <a href="#">Y314137</a> |                           |               | Foot, Rubber  |
| 036 | <a href="#">Y305086</a> |                           |               | Adjustable Leg And Nut  |
| 037 | Y052740                 | <a href="#">62739</a>     |               | Nut, Lock   |
| 038 | <a href="#">Y310376</a> |                           |               | Clip, Door Switch Harness                                       |
| 039 | 315471                  | <a href="#">22003298</a>  |               | Retainer, Wire  |
| 040 | <a href="#">410490</a>  |                           |               | Spring, Retainer Wire Harness                                   |
| 041 | Y312961                 | <a href="#">W10116751</a> |               | Screw   |
| 042 | 315122                  |                           | Not Available | COVER, THERMOSTAT PART NOT USED (MDE ONLY)                      |
| 043 | Y310632                 | <a href="#">1163839</a>   |               | Screw   |