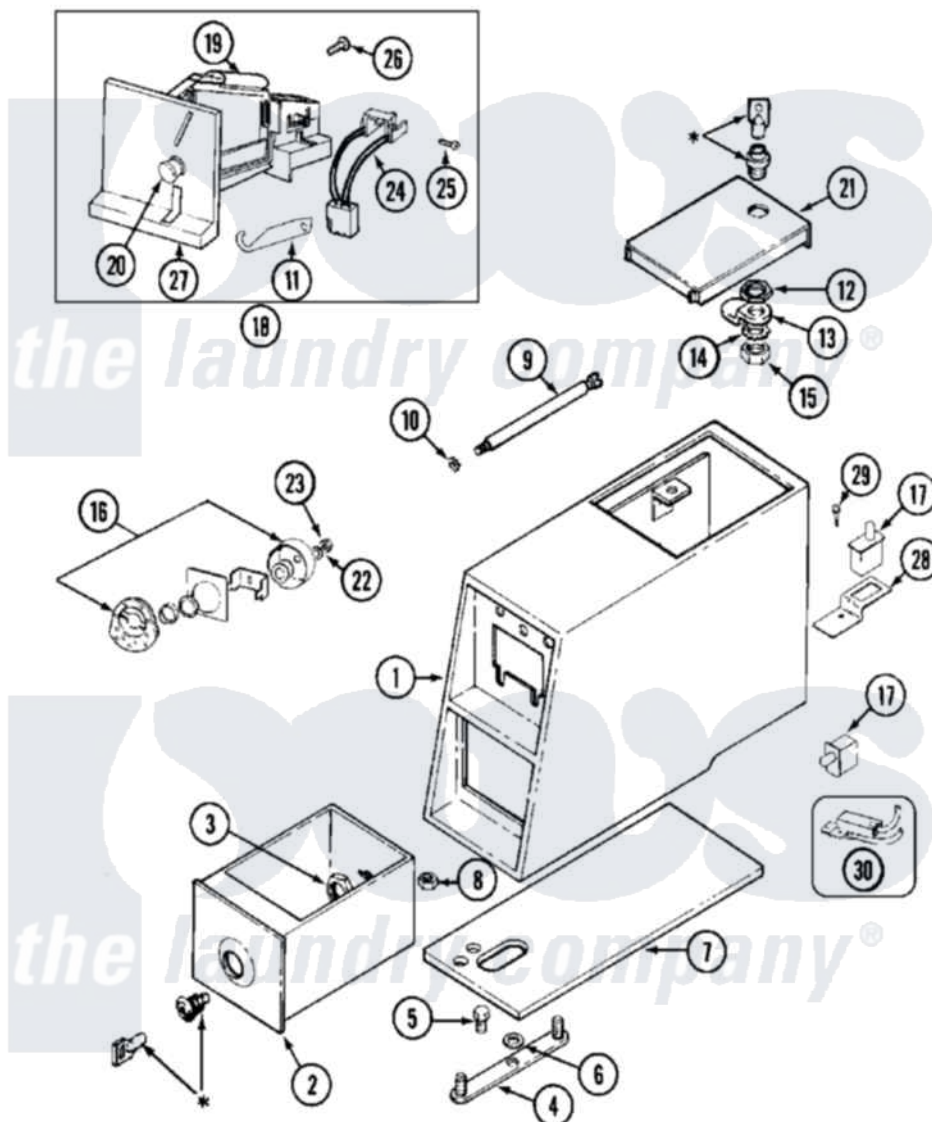


Maytag MDE10DAAEW 09 - CONTROL CNTR (SERIAL SUFFIX KB & AFTER)



***CONTACT YOUR COMMERCIAL LAUNDRY DISTRIBUTOR**

Maytag [Residential Maytag MDE10DAAEW Dryer Parts](#) Parts Diagram 09 - CONTROL CNTR (SERIAL SUFFIX KB & AFTER)

[Click on the part number to view part](#)

| Item | Original Part Number | Replaced By | Status | Part Description |
|------|--------------------------|---------------------------|---------------|---|
| 001 | 22001407 | | | Case, Coin Slide |
| " | 22001408 | | | (ALM) |
| 002 | 207912 | 208884 | | Coin Box K |
| " | 207912L | 208884 | | Coin Box K |
| 003 | 212328 | W10139762 | | Hex Nut, 3/4-27 |
| 004 | NLA | | Not Available | STRAP, MOUNTING |
| 005 | 211294 | 90767 | | Screw, 8A X 3/8 HeX Washer Head Tapping |
| 006 | 910309 | | | Washer, Mounting Strap |
| 007 | 214660 | | | Gasket, Control Center |
| 008 | Y052740 | 62739 | | Nut, Lock |
| 009 | 213035 | | | Bolt, Locking |
| 010 | 910181 | | | Lockwasher, Terminal Block |
| 011 | 216011 | | | Spring, Return Button |
| 012 | 212328 | W10139762 | | Hex Nut, 3/4-27 |

| | | | |
|-----|--------------------------|---------------------------|--|
| 013 | 213750 | W10133266 | Cam-Lock |
| 014 | 22001354 | W10177242 | Hex-Nut 9/32 - 28 |
| 015 | 22001355 | | Nut, Lock Cam |
| 016 | NLA | | Not Available LOCK CAM ASSY. |
| 017 | 33001250 | | Switch, Vault And Service Door |
| 018 | 207948 | | Coin Drop Assembly |
| 019 | 207947 | | Rejector, Coin |
| 020 | 216200 | | Face Plate Return Button |
| 021 | 204216 | | Not Available DOOR, ACCESS (WHT) |
| " | 204216L | | Door, Access |
| 022 | 22001354 | W10177242 | Hex-Nut 9/32 - 28 |
| 023 | 216203 | | Lockwasher, Double "D" |
| " | 22001355 | | Nut, Lock Cam |
| 024 | 206799 | | Optic Switch Assembly |
| 025 | 314665 | | Screw, Switch Assembly |
| 026 | 216068 | | Screw, Coin Drop |
| 027 | 216010 | Y208306 | Kit- Mtg C |
| 028 | 22001404 | | Bracket, Service Switch |
| 029 | 212276 | W10116760 | Screw |
| 030 | 208045 | | Harness, Wire Sensor Switch To Circuit Brd |

