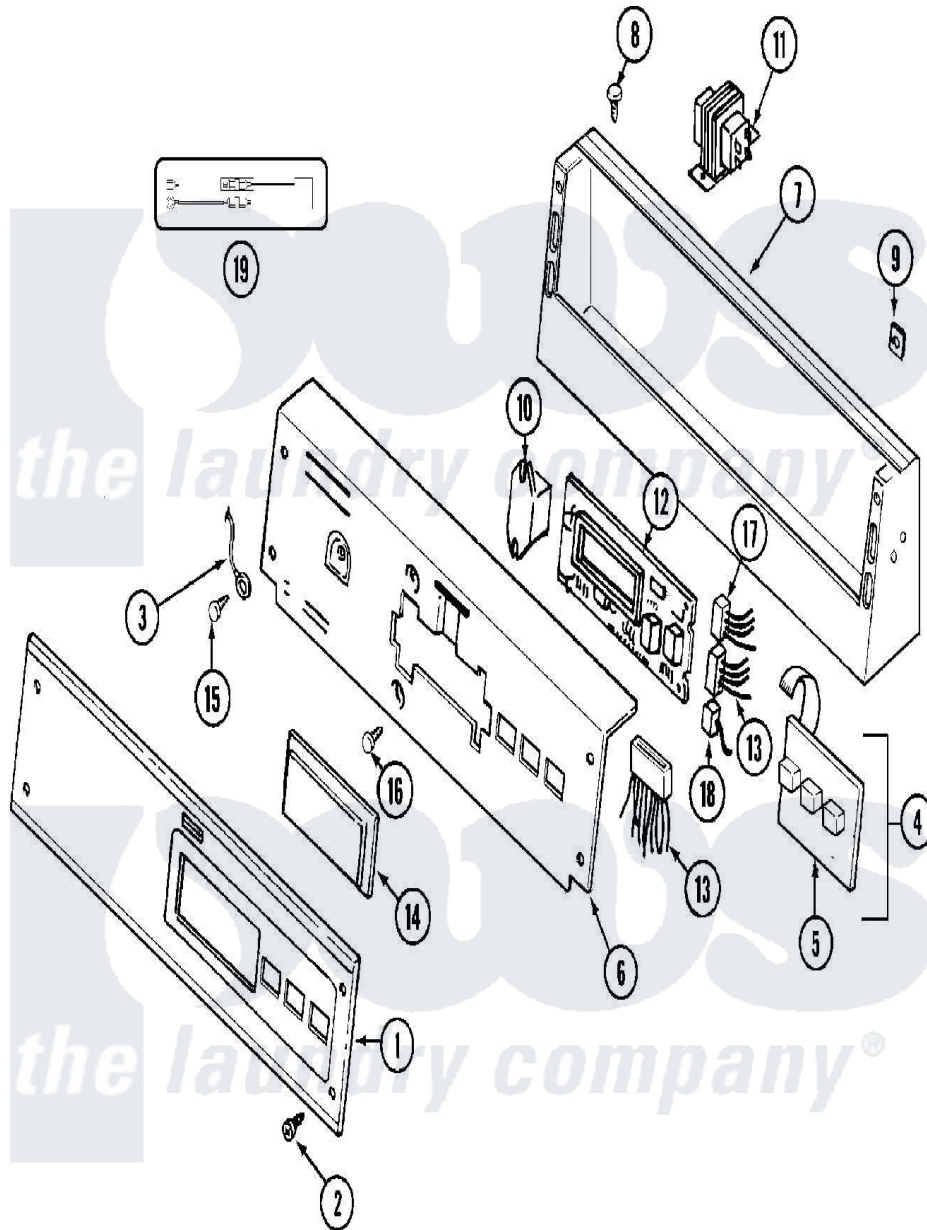


Maytag MDE10PDADW 01 - CONTROL PANEL



Maytag [Residential Maytag MDE10PDADW Dryer Parts](#) Parts Diagram 01 - CONTROL PANEL
 Click on the part number to view part

| Item | Original Part Number | Replaced By | Status | Part Description |
|------|--------------------------|---------------------------|---------------|---|
| 001 | 33001020 | | | Panel, Control |
| 002 | 215506 | | | Screw, Control Panel Overlay |
| 003 | 205810 | | | Wire, Ground |
| 004 | 215527 | W10140652 | | Screw, 6-20 X 1/2 |
| " | 306694 | | | Backup Plate With Switch |
| 005 | 215517 | W10131113 | | Push Button |
| 006 | NLA | | Not Available | PLATE, BACKUP (WHT) |
| 007 | NLA | | Not Available | CONSOLE (WHT) |
| 008 | 212276 | W10116760 | | Screw |
| 009 | 215003 | | | Fastener, Panel And Bracket |
| 010 | 206824 | W10133335 | | Relay, Motor |
| " | 212949 | 22001866 | | Screw, Relay |
| 011 | 207766 | | | Transformer |
| " | 211294 | 90767 | | Screw, 8A X 3/8 HeX Washer Head Tapping |
| 012 | 33001249 | | | Battery, Control Board |
| " | 912077 | | | Locknut, Reader Harness |

| | | | |
|-----|--------------------------|---------------|--|
| " | NLA | Not Available | BOARD, CONTROL |
| " | NLA | Not Available | SUPPORT, BATTERY |
| " | Y215513 | | Standoff, Circuit Board |
| 013 | 314531 | | Connector, Edgeboard |
| " | NLA | Not Available | WIRE HARNESS, MAIN |
| 014 | 33001208 | | Cover, Display |
| 015 | 211252 | | Screw, Ground Wire |
| 016 | 215526 | | Screw, Circuit Board |
| 017 | 206799 | | Optic Switch Assembly |
| " | NLA | Not Available | CONNECTOR, EDGEBOARD |
| 018 | 208045 | | Harness, Wire Sensor Switch To Circuit Brd |
| " | 22001361 | | Connector, Edgeboard |
| 019 | 12001279 | | Surge Suppressor Kit |

