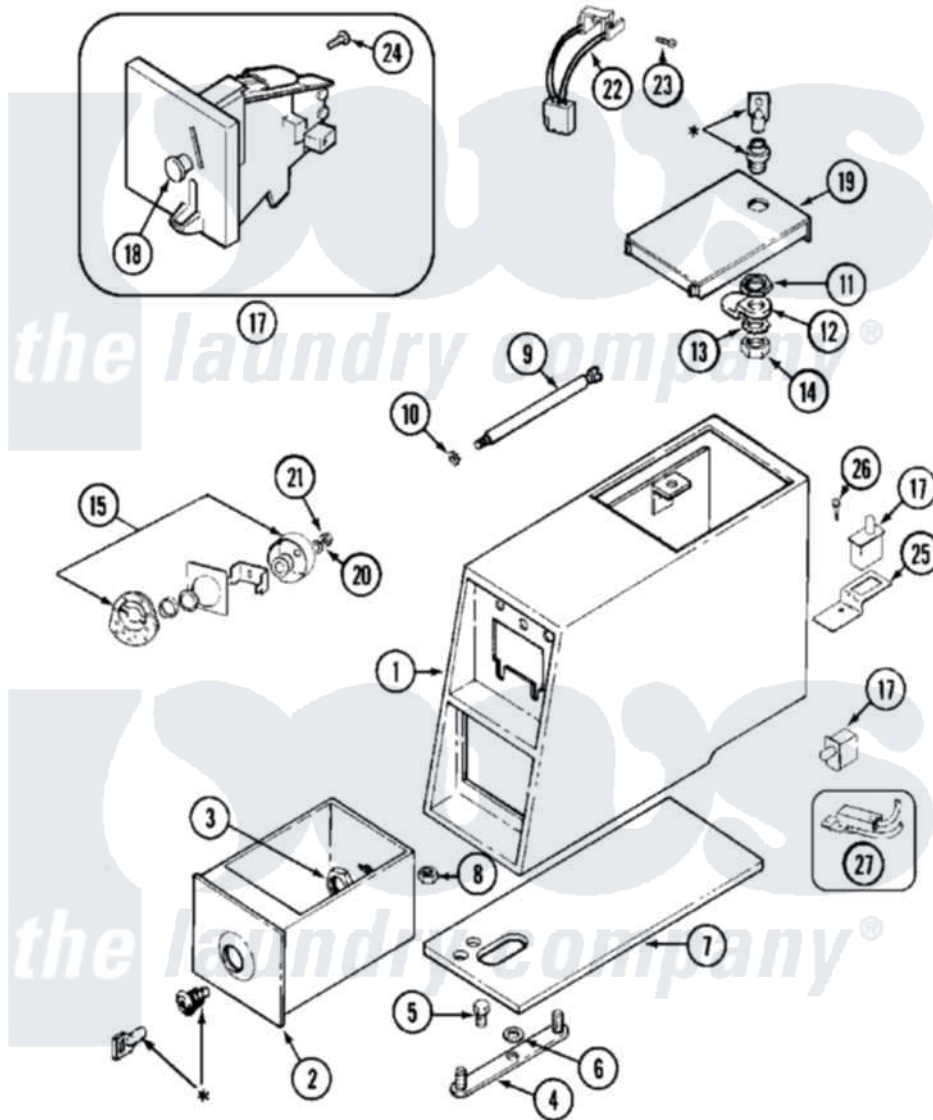


Maytag MDE10PDADW 10 - CONTROL CNTR (SERIAL SUFFIX QB & AFTER)



* CONTACT YOUR COMMERCIAL LAUNDRY DISTRIBUTOR

Maytag [Residential Maytag MDE10PDADW Dryer Parts](#) Parts Diagram 10 - CONTROL CNTR (SERIAL SUFFIX QB & AFTER)

[Click on the part number to view part](#)

Item	Original Part Number	Replaced By	Status	Part Description
001	22001407			Case, Coin Slide
"	22001408			(ALM)
002	207912	208884		Coin Box K
"	207912L	208884		Coin Box K
003	212328	W10139762		Hex Nut, 3/4-27
004	NLA		Not Available	MOUNTING STRAP
005	211294	90767		Screw, 8A X 3/8 HeX Washer Head Tapping
006	910309			Washer, Mounting Strap
007	214660			Gasket, Control Center
008	Y052740	62739		Nut, Lock
009	213035			Bolt, Locking
010	910181			Lockwasher, Terminal Block
011	212328	W10139762		Hex Nut, 3/4-27
012	213750	W10133266		Cam-Lock

013	22001354	W10177242	Hex-Nut 9/32 - 28
014	22001355		Nut, Lock Cam
015	NLA	Not Available	LOCK CAM ASSEMBLY
016	33001250		Switch, Vault And Service Door
"	912012	3400409	Screw
017	207948		Coin Drop Assembly
"	22002143	Not Available	FACEPLATE
"	NLA	Not Available	(CAN.)
018	216200		Face Plate Return Button
019	204216	Not Available	DOOR, ACCESS (WHT)
"	204216L		Door, Access
020	22001354	W10177242	Hex-Nut 9/32 - 28
021	216203		Lockwasher, Double "D"
"	22001355		Nut, Lock Cam
022	206799		Optic Switch Assembly
023	314665		Screw, Switch Assembly
024	216068		Screw, Coin Drop
025	22001404		Bracket, Service Switch
026	212276	W10116760	Screw
027	208045		Harness, Wire Sensor Switch To Circuit Brd

