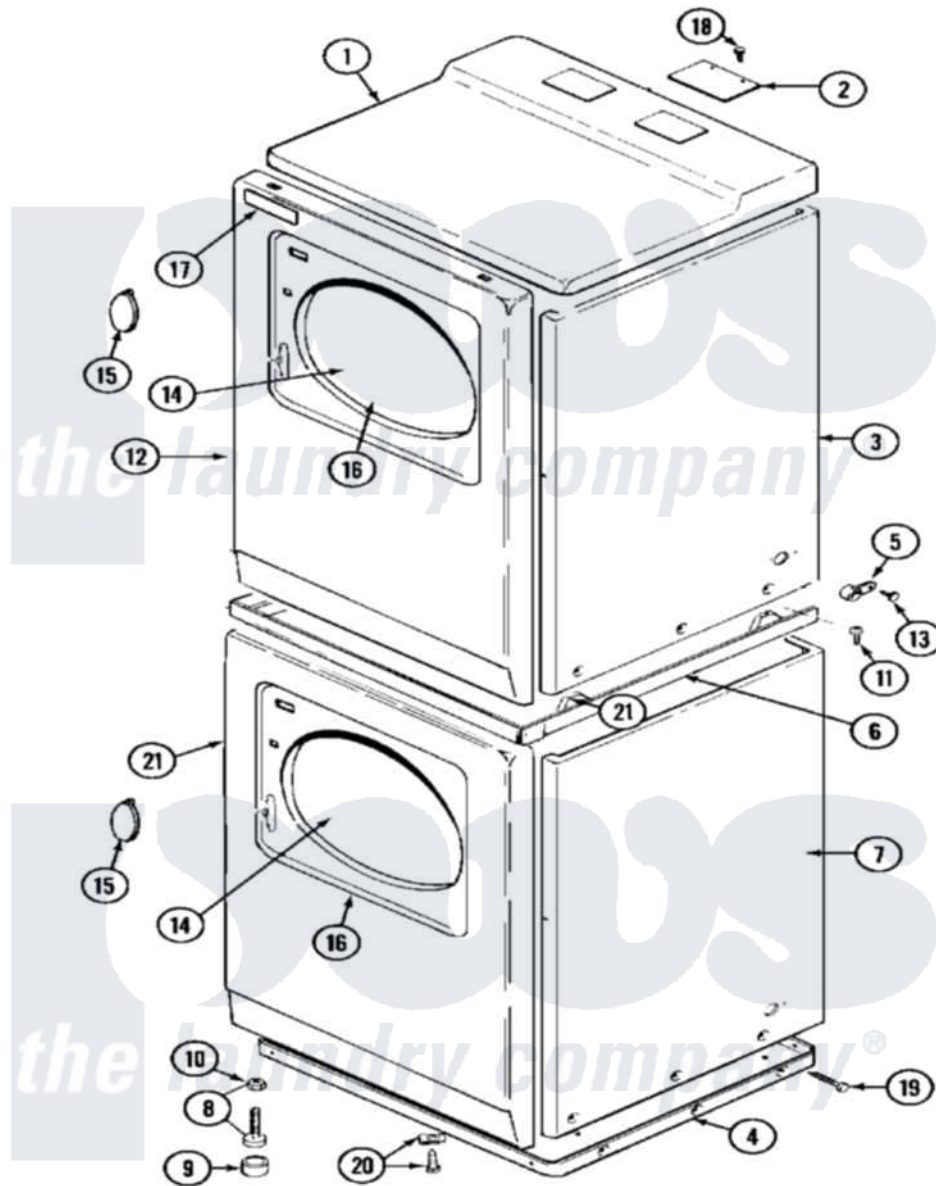


# Maytag MDE11CSADL 03 - FRONT



Maytag Residential Maytag MDE11CSADL Dryer Parts Parts Diagram 03 - FRONT  
 Click on the part number to view part

| Item | Original Part Number     | Replaced By              | Status        | Part Description            |
|------|--------------------------|--------------------------|---------------|-----------------------------|
| 001  | 33001161                 |                          | Not Available | TOP COVER ASSEMBLY (WHT)    |
| "    | <a href="#">33001165</a> |                          |               | Top Cover Assembly          |
| "    | NLA                      |                          | Not Available | (ALM)                       |
| 002  | NLA                      |                          | Not Available | PLATE, COVER                |
| 003  | NLA                      |                          | Not Available | CABINET (UPR-ALM)           |
| 004  | 306530                   |                          | Not Available | BASE ASSEMBLY (LOWER)       |
| 005  | 910768                   | <a href="#">M0280301</a> |               | Tie Electr                  |
| 006  | <a href="#">33001302</a> |                          |               | (WHT)                       |
| "    | 911050                   | <a href="#">4312464</a>  |               | Screw                       |
| "    | NLA                      |                          | Not Available | SPACER ASSEMBLY (ALM)       |
| "    | Y310632                  | <a href="#">1163839</a>  |               | Screw                       |
| 007  | NLA                      |                          | Not Available | CABINET (LWR-ALM)           |
| 008  | Y302699                  | <a href="#">22003428</a> |               | Leg, Adjustable             |
| 009  | <a href="#">210684</a>   |                          |               | Foot, Adjustable Leg        |
| 010  | <a href="#">210385</a>   |                          |               | Lock Nut For Adjustable Leg |
| 011  | 314663                   | <a href="#">214354</a>   |               | Screw, Top Cover To Cabnt.  |

|     |                         |                           |               |                                |
|-----|-------------------------|---------------------------|---------------|--------------------------------|
| 012 | NLA                     |                           | Not Available | PANEL, FRONT (WHT)             |
| 013 | 211168                  | <a href="#">W10139210</a> |               | Screw, 8-18 X 5/16             |
| 014 | 33001203                |                           | Not Available | PANEL, CLEAR INNER (W/SEAL)    |
| 015 | <a href="#">314939</a>  |                           |               | Handle, Door                   |
| "   | <a href="#">314974</a>  |                           |               | Handle, Door                   |
| 016 | 314967                  |                           | Not Available | DOOR W/WINDOW OUTER HALF (WHT) |
| "   | NLA                     |                           | Not Available | (ALM)                          |
| 017 | NLA                     |                           | Not Available | NAME PLATE                     |
| 018 | <a href="#">Y313559</a> |                           |               | Screw                          |
| 019 | <a href="#">213007</a>  |                           |               | Xfor Cabinet See Cabinet, Back |
| 020 | <a href="#">204439</a>  |                           |               | Screw And Fstner Assembly      |
| 021 | 310933                  | <a href="#">33002194</a>  |               | Nut, Speed                     |

