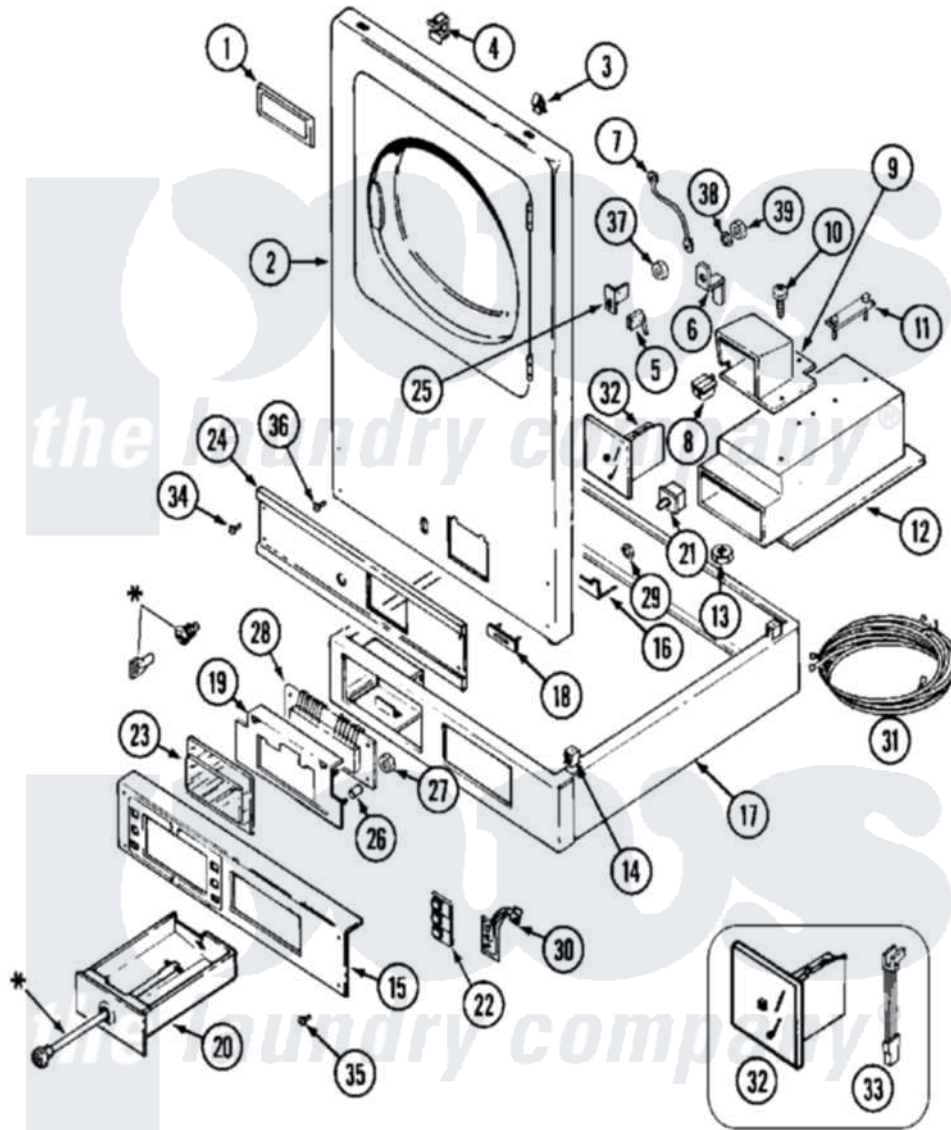


Maytag MDE11PDACL 01 - CONTROLS & UPPER PANEL



***Contact Your Commercial Distributor for Locks & Keys**

Maytag Residential Maytag MDE11PDACL Dryer Parts Parts Diagram 01 - CONTROLS & UPPER PANEL
 Click on the part number to view part

| Item | Original Part Number | Replaced By | Status | Part Description |
|------|-------------------------|--------------------------|---------------|----------------------------|
| 001 | NLA | | Not Available | NAME PLATE |
| 002 | 33001447 | | Not Available | PANEL, FRONT (UPR-WHT) |
| " | NLA | | Not Available | PANEL, FRONT (UPR-WHT) |
| 003 | 212982 | 22001650 | | Fastener, Spring |
| 004 | Y310376 | | | Clip, Door Switch Harness |
| 005 | 912012 | 3400409 | | Screw |
| " | Y306232 | | | Switch, Access |
| 006 | 314625 | 206637 | | Lock Kit |
| 007 | Y306712 | Y303981 | | Ground Wire For Latch |
| 008 | 314635 | | | Chute, Coin |
| 009 | NLA | | Not Available | COVER, COIN DROP |
| 010 | 314654 | | | Bolt, Coin Drop Cover |
| 011 | NLA | | Not Available | STRAP, MOUNTING |
| " | NLA | | Not Available | LOCKWASHER, MOUNTING STRAP |
| 012 | 910387 | | | Lockwasher, Vault Assembly |
| " | NLA | | Not Available | VAULT ASSEMBLY (WHT) |

| | | | | |
|-----|--------------------------|---------------------------|---------------|--------------------------------|
| 013 | NLA | | Not Available | WASHER, COVER BOLT |
| " | Y052740 | 62739 | | Nut, Lock |
| 014 | 310933 | 33002194 | | Nut, Speed |
| 015 | 33001023 | | Not Available | EXTRUSION, CONTROL (LOWER) |
| 016 | Y313561 | | | Screw---NA |
| " | 314631 | | | Bracket, Coin Mechanism |
| " | Y310632 | 1163839 | | Screw |
| 017 | NLA | | Not Available | SUPPORT ASSEMBLY (WHT) |
| 018 | 306233 | | Not Available | STRAP, COIN ACCEPTOR |
| 019 | 33001201 | | | Plate, Control Mounting |
| " | 910186 | 99002757 | | Screw |
| 020 | 308143 | | | Tray, Coin |
| " | 308143L | 308143 | | Tray, Coin |
| 021 | 33001250 | | | Switch, Vault And Service Door |
| 022 | 33001156 | | | Button, Control |
| 023 | 33001209 | | | Cover, Display |
| 024 | NLA | | Not Available | CONTROL, EXTRUSION (UPR) |
| 025 | 314634 | | | Bracket, Access Switch |
| 026 | 33001204 | | | Stand-Off, Ccontrol Board |
| 027 | 912077 | | | Locknut, Reader Harness |
| 028 | 33001249 | | | Battery, Control Board |
| " | 33001290 | 33002605 | | Circuit Board Assembly |
| 029 | Y052659 | Y052655 | | Hex Nut, No.8-32 |
| 030 | 33001200 | 33002449 | | Switch, Membrane |
| 031 | 314522 | | | Grommet, Strain Relief |
| " | 33001030 | | | Wire Harness, Main |
| " | 33001031 | | | (LWR) |
| " | 33001408 | | | Wire Harness, Main |
| " | 33001409 | | | (LWR) |
| " | 33001410 | | | Wire Harness, Main |
| " | 33001411 | | | (LWR) |
| " | 910768 | M0280301 | | Tie Electr |
| " | NLA | | Not Available | (UPR) |
| 032 | 308121 | | | Rejector Assembly |
| " | Y308123 | | | Rejector Assembly |
| 033 | 315427 | | | Screw, Switch Assembly |
| " | 33001025 | 33001985 | | Switch, Optic |
| 034 | 215506 | | | Screw, Control Panel Overlay |
| " | 315489 | | | Screw, Extrusion And Front |
| 035 | 215506 | | | Screw, Control Panel Overlay |
| 036 | 314666 | | Not Available | SCREW, PANEL (UPR) |
| " | NLA | | Not Available | CLIP, CABINET SCREW |
| 037 | 212328 | W10139762 | | Hex Nut, 3/4-27 |
| 038 | 22001354 | W10177242 | | Hex-Nut 9/32 - 28 |
| 039 | 22001355 | | | Nut, Lock Cam |