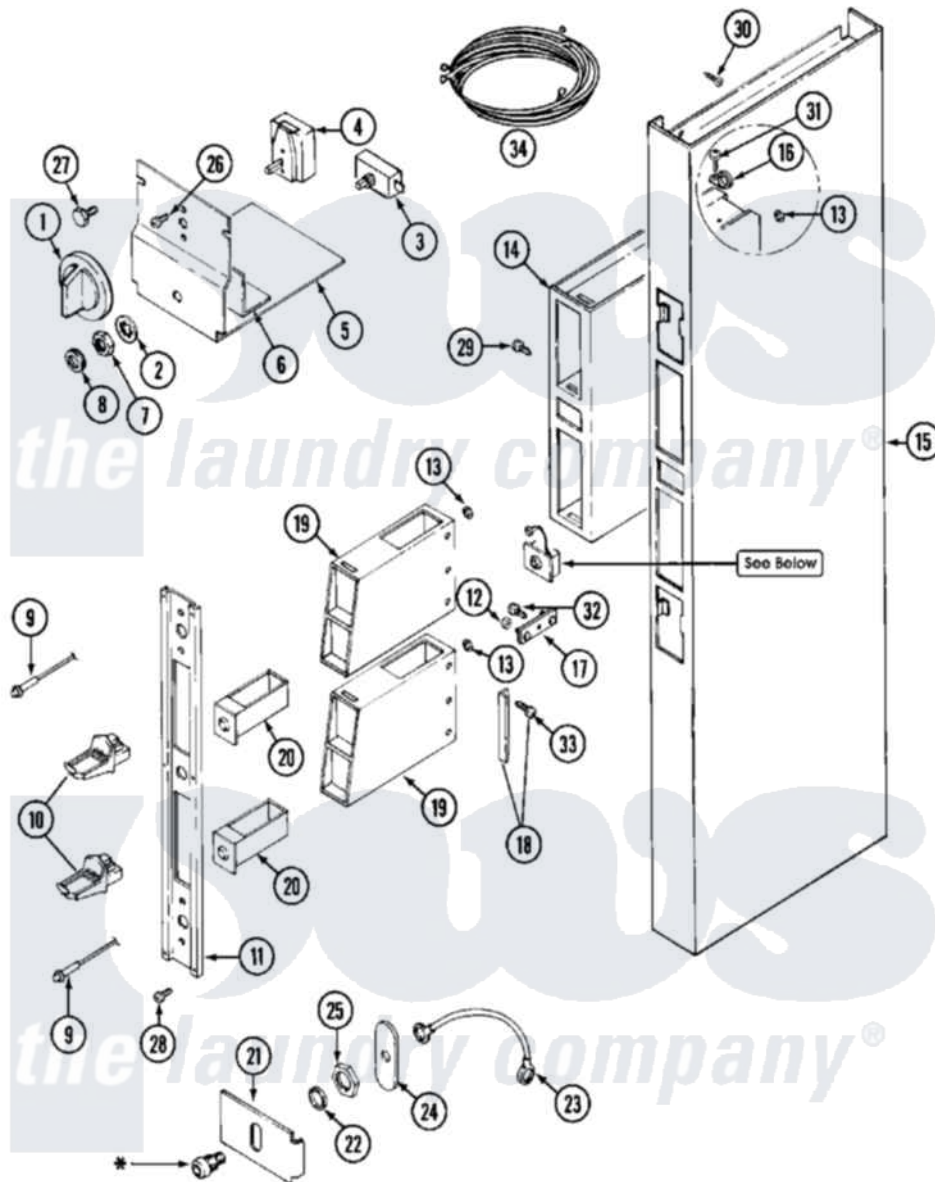


Maytag MDE13CSADW 01 - CONTROL CENTER SHROUD



* Contact your Commercial Distributor For Security Items.

Maytag [Residential Maytag MDE13CSADW Dryer Parts](#) Parts Diagram 01 - CONTROL CENTER SHROUD
 Click on the part number to view part

Item	Original Part Number	Replaced By	Status	Part Description
001	205663			Knob For Selector Switch
002	312751			Lockwasher, Start Switch
003	306940	W10149462		Switch, Push-To-Start
004	307253			Switch, Cycle Selector
005	Y314261			Switch And Relay Bracket
006	NLA		Not Available	INSULATOR, SWITCH
007	Y312706	422617		Nut
008	Y312702			Knurled Nut, Start Switch
009	303963		Not Available	LIGHT, INDICATOR
"	NLA		Not Available	LIGHT, INDICATOR
010	NLA		Not Available	SLIDE, MAYTAG COIN
011	NLA		Not Available	PANEL, VAULT
012	Y052740	62739		Nut, Lock
013	Y313671	33001303		Grommet, Plate Hole
014	211294	90767		Screw, 8A X 3/8 HeX Washer Head Tapping
"	305534		Not Available	VAULT ASSEMBLY

"	Y313559		Screw
015	211294	90767	Screw, 8A X 3/8 HeX Washer Head Tapping
"	NLA		Not Available
"	NLA		SHROUD, CONTROL (WHT)
"	NLA		Not Available
"	NLA		SCREW, SHROUD
016	910768	M0280301	Tie Electr
017	22001810		Not Available
"	NLA		STRAP, MOUNTING
018	NLA		Not Available
"	NLA		STOP, COIN METER
019	Y307081		Coin Meter Weld Assembly
"	NLA		Not Available
"	NLA		(ALM)
020	205423	208883	Coin Box K
"	205423L	208883	Coin Box K
021	313428		Not Available
"	NLA		PLATE FOR LATCH
022	NLA		Not Available
"	NLA		WASHER, LATCH
023	211168	W10139210	Screw, 8-18 X 5/16
"	Y303981		Ground Wire For Latch
024	Y313427	206637	Lock Kit
025	212328	W10139762	Hex Nut, 3/4-27
026	Y313588	488234	Screw 8-32 X 1/4
027	212276	W10116760	Screw
028	Y313424		Screw, Vault Panel
029	211294	90767	Screw, 8A X 3/8 HeX Washer Head Tapping
"	Y313559		Screw
030	213648	98165	Screw
031	211168	W10139210	Screw, 8-18 X 5/16
032	212276	W10116760	Screw
033	Y014872		Screw, Coin Meter Stop -
034	33001515		Wire Harness, Main
"	33001516		(LWR)
"	33001558		Wire Harness, Main
"	33001559		(UPR)
"	33001564		Wire Harness, Main
"	33001565		(LWR)

