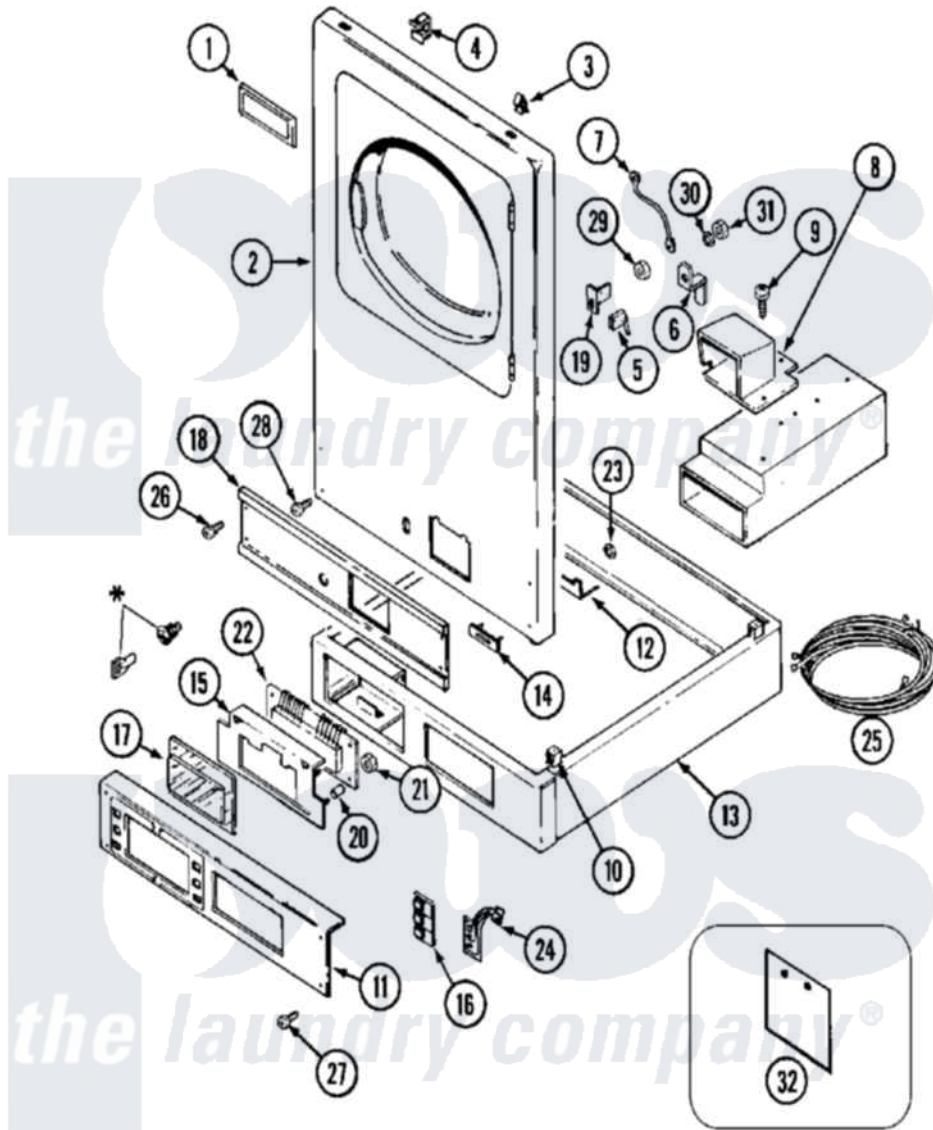


# Maytag MDE13PRBCW 01 - CONTROLS & UPPER PANEL



**\*Contact Your Commercial Distributor for Locks & Keys**

Maytag [Residential Maytag MDE13PRBCW Dryer Parts](#) Parts Diagram 01 - CONTROLS & UPPER PANEL  
 Click on the part number to view part

| Item | Original Part Number    | Replaced By              | Status        | Part Description          |
|------|-------------------------|--------------------------|---------------|---------------------------|
| 001  | 33001711                | <a href="#">33002936</a> |               | Medallion-                |
| 002  | 33001447                |                          | Not Available | PANEL, FRONT (UPR-WHT)    |
| "    | 33001486                | <a href="#">98008544</a> |               | Screw                     |
| 003  | 212982                  | <a href="#">22001650</a> |               | Fastener, Spring          |
| 004  | <a href="#">Y310376</a> |                          |               | Clip, Door Switch Harness |
| 005  | 912012                  | <a href="#">3400409</a>  |               | Screw                     |
| "    | <a href="#">Y306232</a> |                          |               | Switch, Access            |
| 006  | 314625                  | <a href="#">206637</a>   |               | Lock Kit                  |
| 007  | <a href="#">Y303981</a> |                          |               | Ground Wire For Latch     |
| 008  | NLA                     |                          | Not Available | COVER, COIN DROP          |
| 009  | <a href="#">314654</a>  |                          |               | Bolt, Coin Drop Cover     |
| 010  | 310933                  | <a href="#">33002194</a> |               | Nut, Speed                |
| 011  | NLA                     |                          | Not Available | EXTRUSION (LWR)           |
| 012  | <a href="#">Y313561</a> |                          |               | Screw---NA                |
| "    | <a href="#">314631</a>  |                          |               | Bracket, Coin Mechanism   |
| "    | Y310632                 | <a href="#">1163839</a>  |               | Screw                     |

|     |                          |                           |               |  |
|-----|--------------------------|---------------------------|---------------|--|
| 013 | NLA                      |                           | Not Available | SUPPORT ASSEMBLY (WHT)                 |
| 014 | 306233                   |                           | Not Available | STRAP, COIN ACCEPTOR                   |
| 015 | <a href="#">33001201</a> |                           |               | Plate, Control Mounting                |
| "   | 910186                   | <a href="#">99002757</a>  |               | Screw                                  |
| 016 | <a href="#">33001156</a> |                           |               | Button, Control                        |
| 017 | <a href="#">33001209</a> |                           |               | Cover, Display                         |
| 018 | NLA                      |                           | Not Available | EXTRUSION, CONTROL (UPR)               |
| 019 | <a href="#">314634</a>   |                           |               | Bracket, Access Switch                 |
| 020 | <a href="#">33001204</a> |                           |               | Stand-Off, Ccontrol Board              |
| 021 | <a href="#">912077</a>   |                           |               | Locknut, Reader Harness                |
| 022 | 33001747                 | <a href="#">33002605</a>  |               | Circuit Board Assembly                 |
| 023 | Y052659                  | <a href="#">Y052655</a>   |               | Hex Nut, No.8-32                       |
| 024 | 33001200                 | <a href="#">33002449</a>  |               | Switch, Membrane                       |
| 025 | <a href="#">314522</a>   |                           |               | Grommet, Strain Relief                 |
| "   | 910768                   | <a href="#">M0280301</a>  |               | Tie Electr                             |
| "   | NLA                      |                           | Not Available | WIRE HARNESS, MAIN (UPR)               |
| 026 | <a href="#">215506</a>   |                           |               | Screw, Control Panel Overlay           |
| "   | <a href="#">315489</a>   |                           |               | Screw, Extrusion And Front             |
| 027 | <a href="#">215506</a>   |                           |               | Screw, Control Panel Overlay           |
| 028 | 314666                   |                           | Not Available | SCREW, PANEL (UPR)                     |
| "   | NLA                      |                           | Not Available | CLIP, CABINET SCREW                    |
| 029 | 212328                   | <a href="#">W10139762</a> |               | Hex Nut, 3/4-27                        |
| 030 | 22001354                 | <a href="#">W10177242</a> |               | Hex-Nut 9/32 - 28                      |
| 031 | <a href="#">22001355</a> |                           |               | Nut, Lock Cam                          |
| 032 | 33001157                 |                           | Not Available | PLATE, COIN DROP COVER (PART NOT USED) |
| 033 | NLA                      |                           | Not Available | HARNESS, PR OPTIC PLUG                 |

*the laundry company*<sup>®</sup>

**lws**  
*the laundry company*<sup>®</sup>