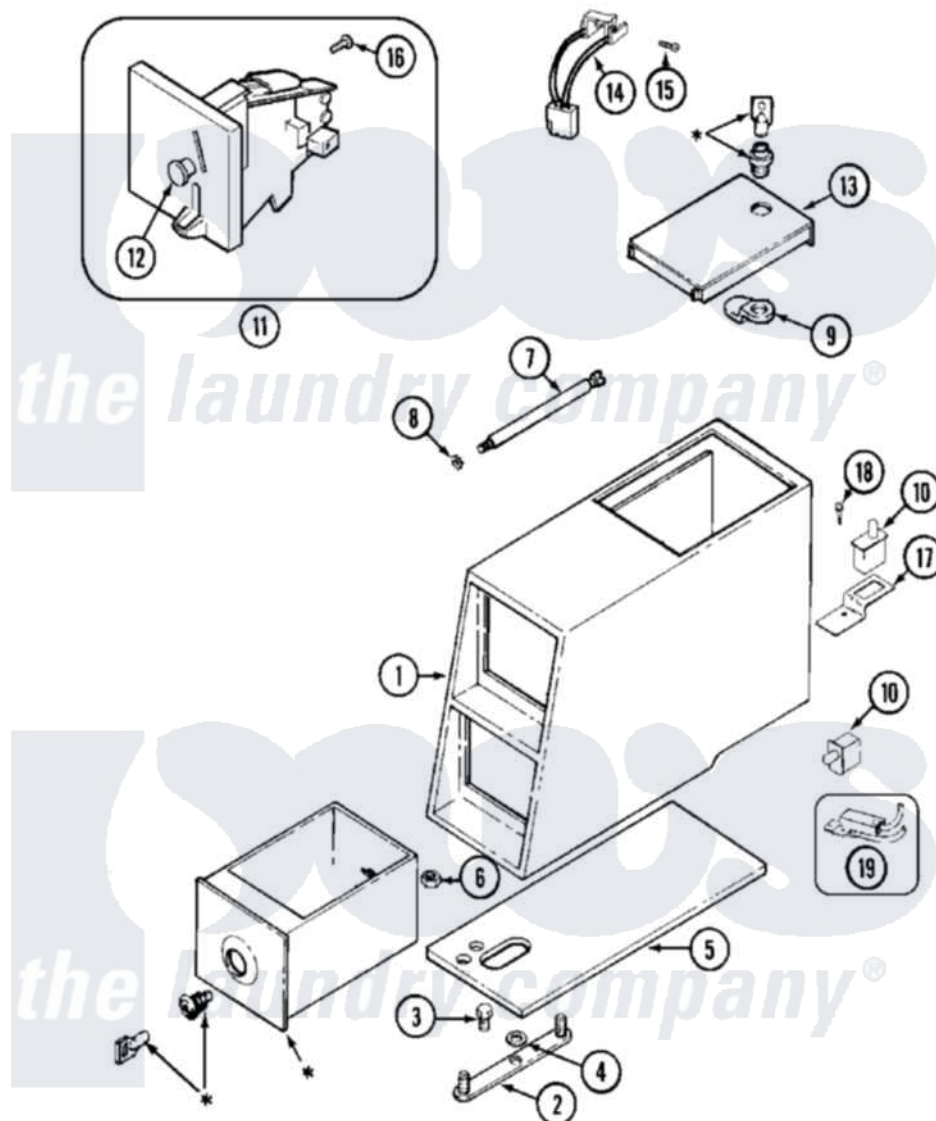


# Maytag MDE14PDACL 02 - CONTROL CENTER



\* CONTACT YOUR COMMERCIAL LAUNDRY DISTRIBUTOR

Maytag [Residential Maytag MDE14PDACL Dryer Parts](#) Parts Diagram 02 - CONTROL CENTER  
 Click on the part number to view part

Item	Original Part Number	Replaced By	Status	Part Description
001	212276	<a href="#">W10116760</a>		Screw
"	<a href="#">22002480</a>			Vault, Coin PD Coin Drop Supplied By Dist.
"	22002481	<a href="#">22002480</a>		Vault, Coin PD Coin Drop Supplied By Dist.
002	22001810		Not Available	STRAP, MOUNTING
003	22001996	<a href="#">3370225</a>		Screw
004	<a href="#">910309</a>			Washer, Mounting Strap
005	<a href="#">22002072</a>			Gasket, Control Center
"	22002073	<a href="#">22002618</a>		Gasket, Control Center
006	Y052740	<a href="#">62739</a>		Nut, Lock
007	<a href="#">213035</a>			Bolt, Locking
008	<a href="#">910181</a>			Lockwasher, Terminal Block
009	NLA		Not Available	CAM, LOCKING
010	<a href="#">33001250</a>			Switch, Vault And Service Door
011	22001873	<a href="#">22004112</a>		Coin Drop Greenwald Us.25

"	<a href="#">22001875</a>		Coin Drop Assembly-Dual
"	<a href="#">22002144</a>		Single Faceplate
"	22002535	<a href="#">W10133245</a>	Dual Coin Drop Assembly
"	<a href="#">22003815</a>		Dual Faceplate
012	<a href="#">216200</a>		Face Plate Return Button
013	22001910	<a href="#">22003679</a>	Timer Access Door Assembly
"	22001911	<a href="#">22003692</a>	Timer Access Door Assembly
014	<a href="#">22001965</a>		Optic Switch Assembly
015	<a href="#">314665</a>		Screw, Switch Assembly
016	<a href="#">216068</a>		Screw, Coin Drop
017	<a href="#">22001404</a>		Bracket, Service Switch
018	212276	<a href="#">W10116760</a>	Screw
019	<a href="#">22001966</a>		Harness, Sensor Switch

*the laundry company*<sup>®</sup>

*the laundry company*<sup>®</sup>

*the laundry company*<sup>®</sup>