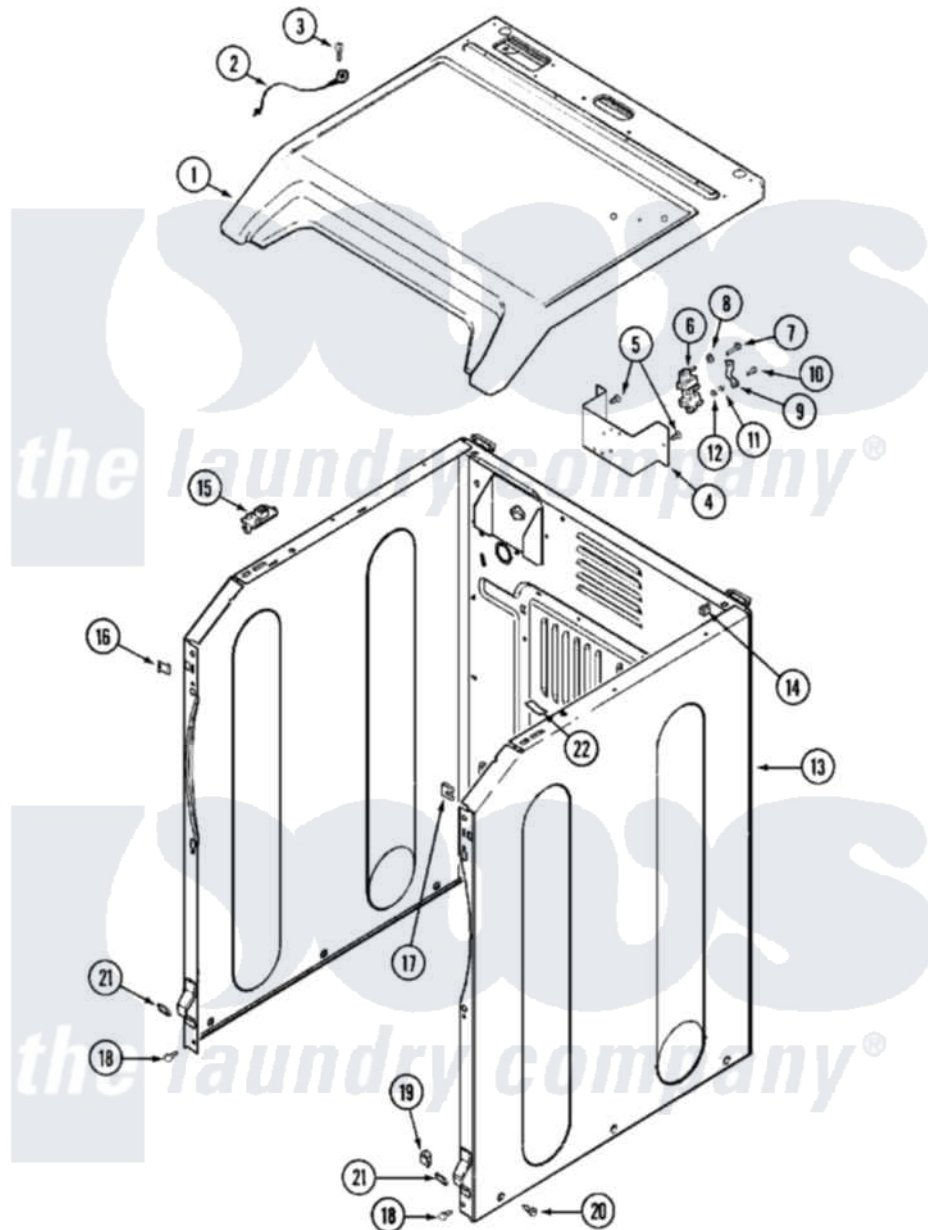


# Maytag MDE14PRAYW 02 - CABINET-FRONT



Maytag [Residential Maytag MDE14PRAYW Dryer Parts](#) Parts Diagram 02 - CABINET-FRONT  
 Click on the part number to view part

| Item | Original Part Number     | Replaced By               | Status        | Part Description                            |
|------|--------------------------|---------------------------|---------------|---|
| 001  | <a href="#">33002627</a> |                           |               | Cover, Top                                  |
| "    | NLA                      |                           | Not Available | CABINET (WHT)                               |
| 002  | <a href="#">22001959</a> |                           |               | Wire, Ground                                |
| 003  | 210186                   | <a href="#">3370225</a>   |               | Screw                                       |
| 004  | NLA                      |                           | Not Available | BRACKET, TERMINAL BLOCK---NA                |
| 005  | <a href="#">22001995</a> |                           |               | Screw Note: Screw, Tumbler Front And Shroud |
| 006  | <a href="#">33001244</a> |                           |               | Block, Terminal                             |
| 007  | Y312209                  | <a href="#">W10001200</a> |               | Screw                                       |
| 008  | <a href="#">Y311270</a>  |                           |               | Washer, Terminal Block                      |
| 009  | <a href="#">Y312184</a>  |                           |               | Strap, Grounding                            |
| 010  | NLA                      |                           | Not Available | SCREW, GROUND STRAP                         |
| 011  | 311484                   | <a href="#">112432</a>    |               | Nut   |
| 012  | <a href="#">311093</a>   |                           |               | Washer, Terminal Connection                 |
| 013  | <a href="#">22003639</a> |                           |               | Cabinet Assembly                            |
| 014  | 310933                   | <a href="#">33002194</a>  |               | Nut, Speed                                  |

|     |                          |                          |   |
|-----|--------------------------|--------------------------|---|
| 015 | 33001872                 | <a href="#">33002891</a> | Pin, Locator                                |
| 016 | <a href="#">22002049</a> |                          | Clip Note: Clip, Front Panel                |
| 017 | 213280                   | <a href="#">204439</a>   | Screw And Fstner Assembly                   |
| 018 | <a href="#">22001995</a> |                          | Screw Note: Screw, Tumbler Front And Shroud |
| 019 | <a href="#">Y310376</a>  |                          | Clip, Door Switch Harness                   |
| 020 | <a href="#">213007</a>   |                          | Xfor Cabinet See Cabinet, Back              |
| "   | 22003409                 | <a href="#">213007</a>   | Xfor Cabinet See Cabinet, Back              |
| 021 | 213280                   | <a href="#">204439</a>   | Screw And Fstner Assembly                   |
| "   | <a href="#">22002239</a> |                          | Clip, Front Panel                           |
| 022 | 33002073                 | <a href="#">Y310376</a>  | Clip, Door Switch Harness                   |
| 023 | <a href="#">33001836</a> |                          | Strap, Top Cover Support                    |

*the laundry company*<sup>®</sup>

**Howes**  
*the laundry company*<sup>®</sup>

**Howes**  
*the laundry company*<sup>®</sup>