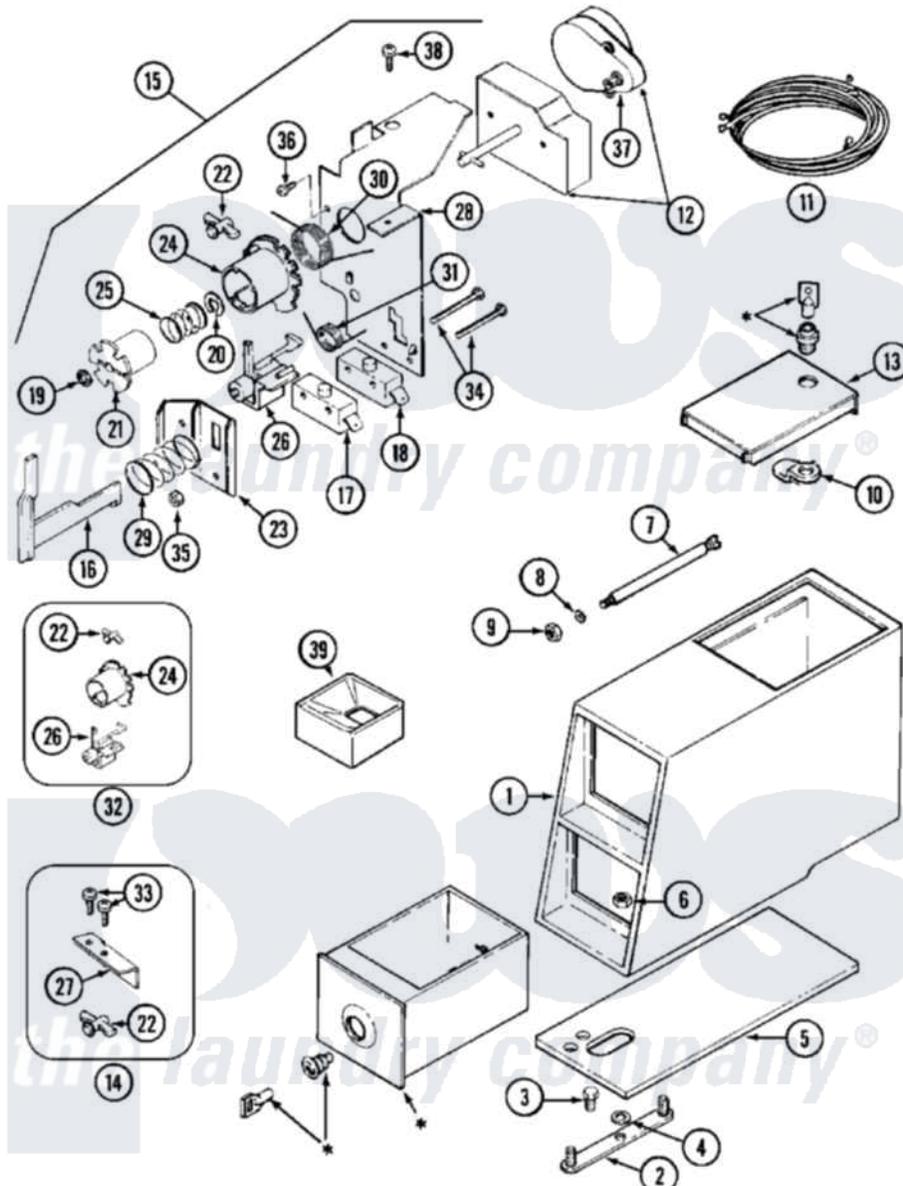


Maytag MDE16CSAZW 06 - CONTROL CENTER



* CONTACT YOUR COMMERCIAL LAUNDRY DISTRIBUTOR

Maytag [Residential Maytag MDE16CSAZW Dryer Parts](#) Parts Diagram 06 - CONTROL CENTER
 Click on the part number to view part

| Item | Original Part Number | Replaced By | Status | Part Description |
|------|--------------------------|--------------------------|---------------|----------------------------------------------------|
| 001 | 22002478 | | Not Available | VAULT, COIN (WHT) (ORIGINAL COIN VAULT NLA USE) |
| " | 22002479 | 22002885 | | Vault, Coin |
| 002 | 22001810 | | Not Available | STRAP, MOUNTING |
| 003 | 211294 | 90767 | | Screw, 8A X 3/8 HeX Washer Head Tapping |
| 004 | 910309 | | | Washer, Mounting Strap |
| 005 | 22002072 | | | Gasket, Control Center |
| " | 22002073 | 22002618 | | Gasket, Control Center |
| 006 | Y052740 | 62739 | | Nut, Lock |
| 007 | 22001903 | 8576635 | | Bolt |
| 008 | 910387 | | | Lockwasher, Vault Assembly |
| 009 | Y052721 | | | Nut, Terminal Block Plate |
| 010 | NLA | | Not Available | CAM, LOCKING |
| 011 | 33001195 | | | Wire Harness, Timer |
| 012 | 33001155 | 33002115 | | Timer |

| | | | |
|-----|--------------------------|---------------------------|---------------------------------------------|
| " | 33001274 | 33002136 | Timer |
| 013 | 22001881 | | Grommet, Double |
| " | 22001882 | | Latch, Access Door |
| " | 22001883 | 214354 | Screw, Top Cover To Cabnt. |
| " | 22001910 | 22003679 | Timer Access Door Assembly |
| " | 22001911 | 22003692 | Timer Access Door Assembly |
| 014 | 33001688 | 33002598 | Actuator, Dryer Kit |
| 015 | 33001275 | | Torsion Timer Assembly |
| " | 33001276 | | Torsion Timer Assembly |
| 016 | 314337 | 33002968 | Slider |
| 017 | 305798 | Not Available | BYPASS SWITCH FOR MOTOR |
| 018 | Y305799 | | Bypass Switch For Heater |
| 019 | 211790 | | Lock Ring For Timer Shaft |
| 020 | Y312270 | | Clip, Spring Retainer |
| 021 | 314330 | Not Available | DRIVER FOR INDEX WHEEL (NOT INCLUDED W/KIT) |
| 022 | 314335 | | Peg, Tine Adjustment |
| " | 314547 | Y308109 | Slide And Adj. Return Bracket |
| 023 | 314339 | | Switch And Slider Bracket |
| 024 | 314546 | | Wheel, Index |
| 025 | 211065 | | Spring, Index Wheel |
| 026 | 314548 | 33002967 | Actuator, Switch |
| 027 | 33001708 | | Bracket, Coin Slide |
| 028 | 33001207 | 33002702 | Timer Bracket |
| 029 | NLA | Not Available | SPRING, HELICAL |
| 030 | 314331 | | Spring, Torsion Return |
| 031 | 314332 | | Spring, Actuator |
| 032 | 306104 | | Actuator Switch Kit |
| 033 | 212707 | 3196385 | Screw |
| 034 | 315277 | | Screw |
| 035 | Y052634 | 701719 | Nut, Hex |
| 036 | 910708 | 488234 | Screw 8-32 X 1/4 |
| 037 | Y308991 | | Motor, Timer |
| 038 | 211168 | W10139210 | Screw, 8-18 X 5/16 |
| 039 | 22001878 | Not Available | CHUTE, COIN (REMOVED AT SERIES 24) |
| " | 22002533 | | Weld Assembly, Funnel |
| " | 22002534 | | Bolt, Carriage |
| 040 | 22001917 | | Plate, Adaptor |
| 041 | 22001904 | Not Available | (REMOVED AT SERIES 24) |
| " | NLA | Not Available | BRACE, COIN SLIDE |