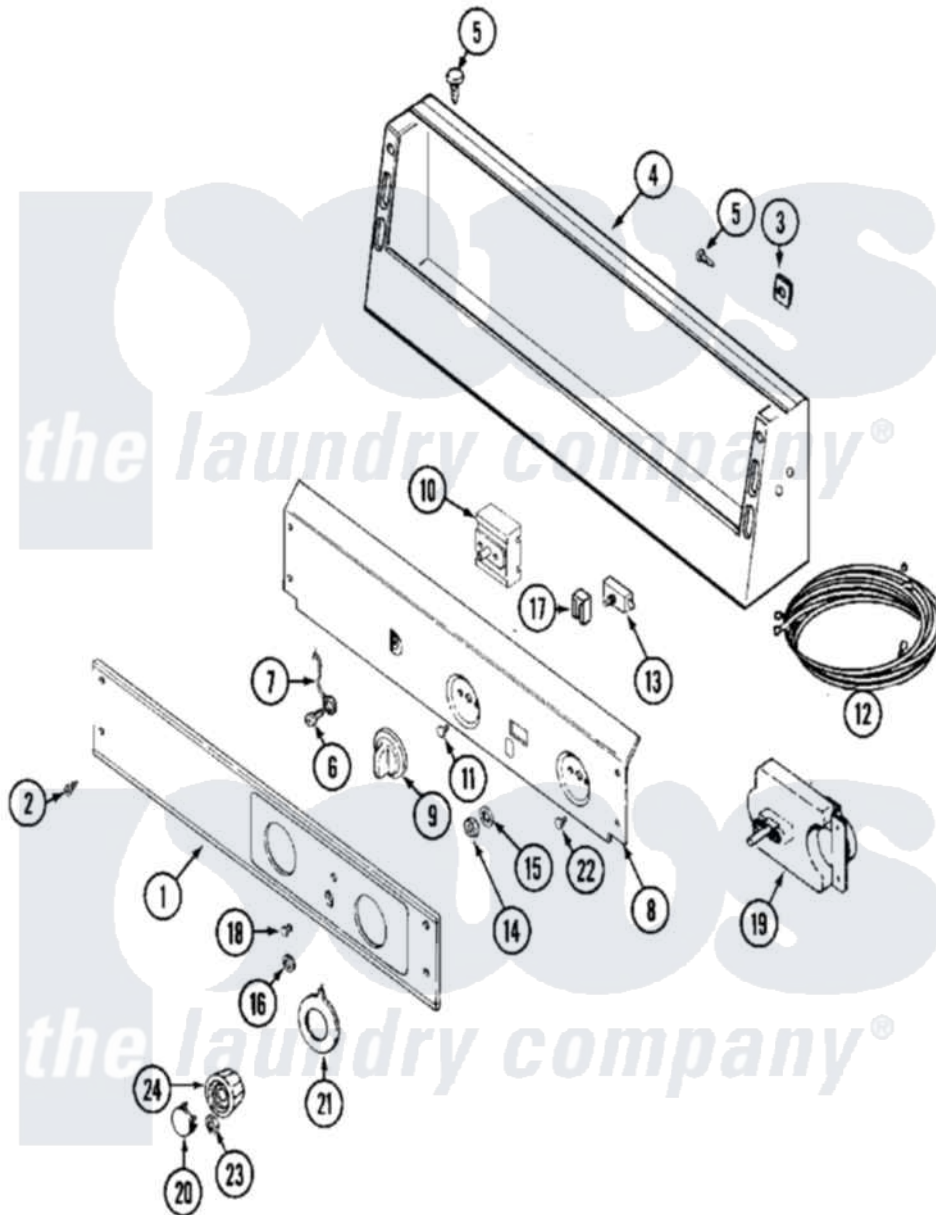


Maytag MDE16MNAZW 01 - CONTROL PANEL



Maytag [Residential Maytag MDE16MNAZW Dryer Parts](#) Parts Diagram 01 - CONTROL PANEL
 Click on the part number to view part

| Item | Original Part Number | Replaced By | Status | Part Description |
|------|--------------------------|---------------------------|---------------|------------------------------|
| 001 | 33001967 | | | Panel, Control |
| 002 | 215506 | | | Screw, Control Panel Overlay |
| 003 | 215003 | | | Fastener, Panel And Bracket |
| 004 | 33001957 | | | Console |
| 005 | 22001996 | 3370225 | | Screw |
| 006 | 211252 | | | Screw, Ground Wire |
| 007 | 205810 | | | Wire, Ground |
| 008 | 33001968 | | | Bracket, Back |
| 009 | 306938 | | | Knob, Selector Switch |
| 010 | 307237 | W10327105 | | Switch, Cycle Selection |
| " | 33002276 | | | Switch, Cycle Selector |
| 011 | Y313588 | 488234 | | Screw 8-32 X 1/4 |
| 012 | 33001969 | | | Wire Harness, Main |
| " | 33002241 | | | Wire Harness, Main |
| " | 33002242 | | | Wire Harness, Main |
| " | NLA | | Not Available | WIRE HARNESS, MAIN |

| | | | |
|-----|--------------------------|---------------------------|-----------------------------|
| 013 | 306940 | W10149462 | Switch, Push-To-Start |
| 014 | Y312706 | 422617 | Nut |
| 015 | 312751 | | Lockwasher, Start Switch |
| 016 | Y312702 | | Knurled Nut, Start Switch |
| 017 | 204075 | Not Available | PILOT LAMP (DG MODELS ONLY) |
| " | 22001365 | W10139459 | Lamp-Indicator 230 V. |
| 018 | 215564 | | Lens, Indicator Light |
| 019 | 305214 | | Timer |
| " | Y305758 | | Timer 240-50 |
| 020 | 314723 | W10133501 | Cap, Knob |
| 021 | 33001500 | | Dial, Timer Indicator |
| 022 | Y313588 | 488234 | Screw 8-32 X 1/4 |
| 023 | 312273 | | Nut, Control Knob |
| 024 | 314724 | | Knob For Timer |
| 025 | 16009021 | | Manual, Service-No Refund |

