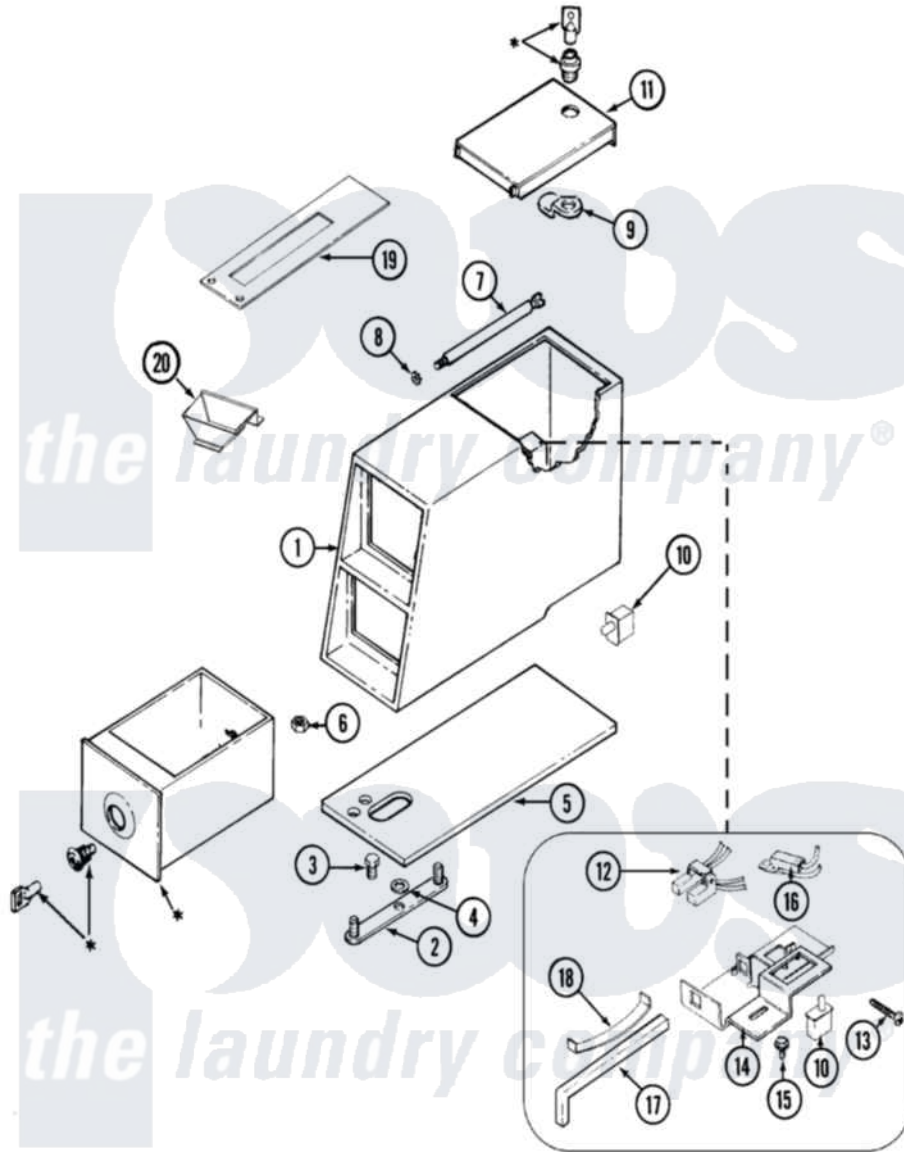


# Maytag MDE16PSDZW 02 - CONTROL CENTER



**\*CONTACT YOUR COMMERCIAL LAUNDRY DISTRIBUTOR**

Maytag [Residential Maytag MDE16PSDZW Dryer Parts](#) Parts Diagram 02 - CONTROL CENTER  
 Click on the part number to view part

Item	Original Part Number	Replaced By	Status	Part Description
001	212276	<a href="#">W10116760</a>		Screw
"	NLA		Not Available	VAULT, COIN (WHT) PS
002	22001810		Not Available	STRAP, MOUNTING
003	22001996	<a href="#">3370225</a>		Screw
004	<a href="#">910309</a>			Washer, Mounting Strap
005	<a href="#">22002072</a>			Gasket, Control Center
006	Y052740	<a href="#">62739</a>		Nut, Lock
007	22001903	<a href="#">8576635</a>		Bolt
008	<a href="#">910387</a>			Lockwasher, Vault Assembly
009	<a href="#">22003677</a>			Nut, Locking Cam
010	<a href="#">33001250</a>			Switch, Vault And Service Door
011	204216		Not Available	DOOR, ACCESS (WHT)
012	<a href="#">22001965</a>			Optic Switch Assembly
013	<a href="#">314665</a>			Screw, Switch Assembly
014	<a href="#">33001253</a>			Bracket, Sensor Switch
015	212276	<a href="#">W10116760</a>		Screw

016	<a href="#">22001966</a>	Harness, Sensor Switch
017	<a href="#">216442</a>	Rod, Actuator
018	<a href="#">33001252</a>	Spring, Switch Rod
019	<a href="#">22003416</a>	Actuator Kit
020	<a href="#">22002533</a>	Weld Assembly, Funnel

