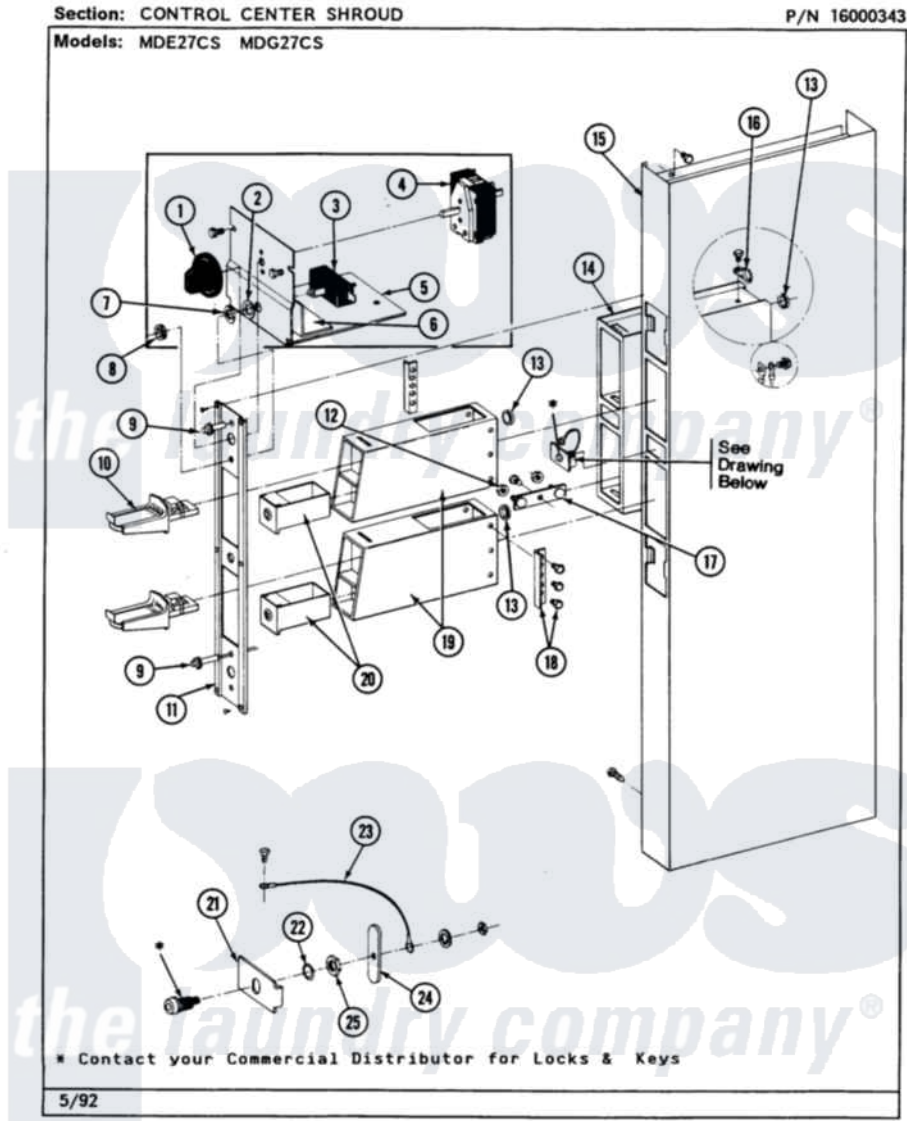


# Maytag MDE27CSAEW 03 - CONTROL CENTER SHROUD



14

Maytag Residential Maytag MDE27CSAEW Dryer Parts Parts Diagram 03 - CONTROL CENTER SHROUD  
 Click on the part number to view part

Item	Original Part Number	Replaced By	Status	Part Description
001	<a href="#">205663</a>			Knob For Selector Switch
002	<a href="#">312751</a>			Lockwasher, Start Switch
003	306940	<a href="#">W10149462</a>		Switch, Push-To-Start
004	<a href="#">307253</a>			Switch, Cycle Selector
"	Y313588	<a href="#">488234</a>		Screw 8-32 X 1/4
005	212276	<a href="#">W10116760</a>		Screw
"	<a href="#">Y314261</a>			Switch And Relay Bracket
006	NLA		Not Available	INSULATOR
007	Y312706	<a href="#">422617</a>		Nut
008	<a href="#">Y312702</a>			Knurled Nut, Start Switch
009	303963		Not Available	LIGHT, INDICATOR
010	NLA		Not Available	MAYTAG COIN SLIDE (ACCESSORY)
011	315037		Not Available	PANEL, VAULT
"	<a href="#">Y313424</a>			Screw, Vault Panel
012	Y052740	<a href="#">62739</a>		Nut, Lock
013	Y313671	<a href="#">33001303</a>		Grommet, Plate Hole

014	211294	<a href="#">90767</a>	Screw, 8A X 3/8 HeX Washer Head Tapping
"	305534	Not Available	VAULT ASSEMBLY
"	Y310632	<a href="#">1163839</a>	Screw
"	<a href="#">Y313559</a>		Screw
015	213648	<a href="#">98165</a>	Screw
"	NLA	Not Available	CONTROL SHROUD-WHITE
016	211168	<a href="#">W10139210</a>	Screw, 8-18 X 5/16
"	910768	<a href="#">M0280301</a>	Tie Electr
017	212276	<a href="#">W10116760</a>	Screw
"	NLA	Not Available	MTG. STRAP---NA
018	NLA	Not Available	COIN METER STOP
"	<a href="#">Y014872</a>		Screw, Coin Meter Stop -
019	<a href="#">Y307081</a>		Coin Meter Weld Assembly
"	NLA	Not Available	(ALMOND)
020	205423	<a href="#">208883</a>	Coin Box K
"	205423L	<a href="#">208883</a>	Coin Box K
021	313428	Not Available	PLATE FOR LATCH
022	NLA	Not Available	SPRING WASHER
023	211168	<a href="#">W10139210</a>	Screw, 8-18 X 5/16
"	<a href="#">Y303981</a>		Ground Wire For Latch
024	Y313427	<a href="#">206637</a>	Lock Kit
025	212328	<a href="#">W10139762</a>	Hex Nut, 3/4-27

