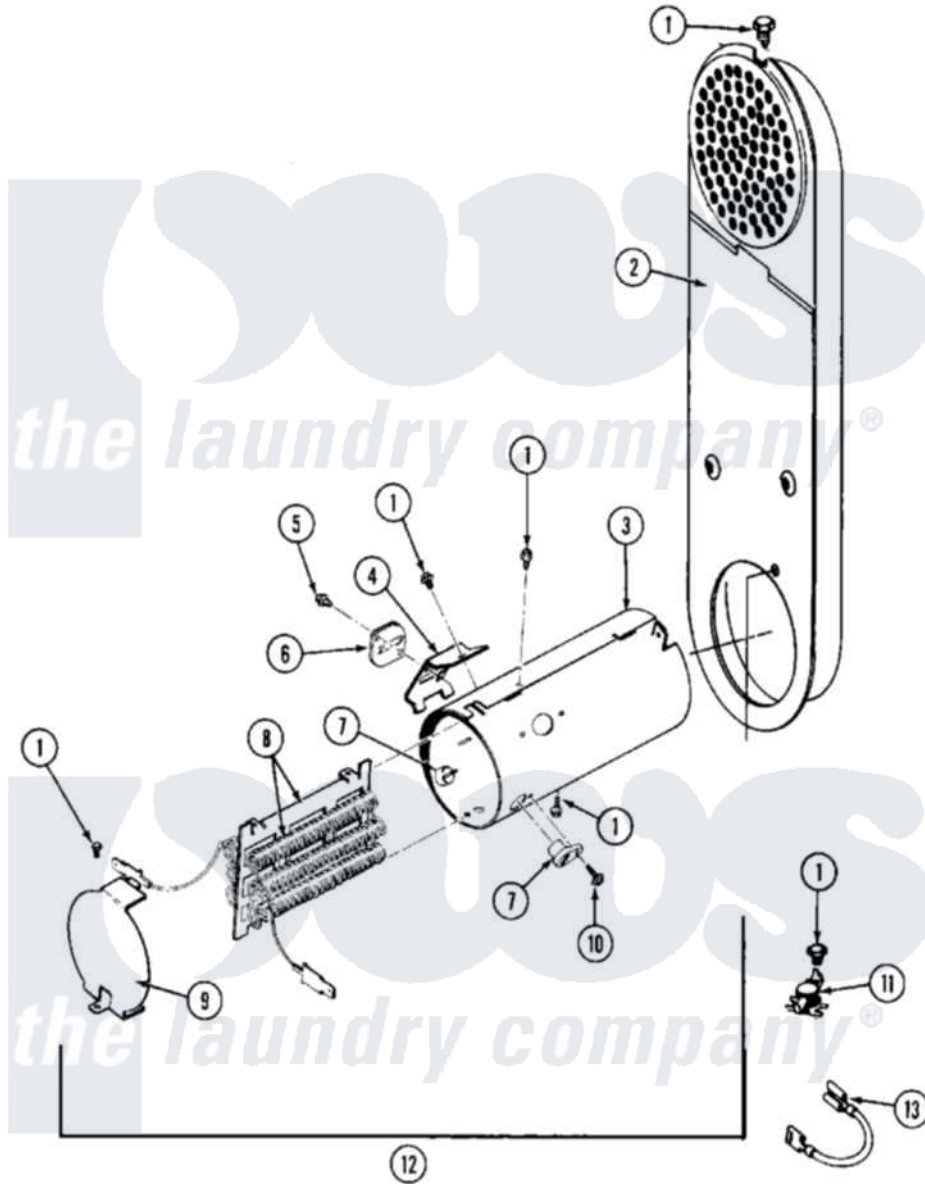


# Maytag MDE27CTACL 08 - HEATER (A3 SERIES)



Maytag [Residential Maytag MDE27CTACL Dryer Parts](#) Parts Diagram 08 - HEATER (A3 SERIES)  
 Click on the part number to view part

| Item | Original Part Number    | Replaced By            | Status        | Part Description                        |
|------|-------------------------|------------------------|---------------|---|
| 001  | 211294                  | <a href="#">90767</a>  |               | Screw, 8A X 3/8 HeX Washer Head Tapping |
| 002  | 308503                  |                        | Not Available | INLET DUCT ASSEMBLY                     |
| "    | NLA                     |                        | Not Available | INLET DUCT ASSY.                        |
| 003  | <a href="#">314995</a>  |                        |               | Enclosure, Heater                       |
| 004  | <a href="#">315346</a>  |                        |               | Bracket, Thermal Fuse                   |
| 005  | NLA                     |                        | Not Available | SCREW, THERMAL FUSE                     |
| 006  | <a href="#">307473</a>  |                        |               | Fuse, Thermal                           |
| 007  | <a href="#">314998</a>  |                        |               | Insulator, Terminal                     |
| 008  | 307185                  | <a href="#">308614</a> |               | Heater Sub-Assembly                     |
| 009  | <a href="#">314999</a>  |                        |               | Shield, Radiant                         |
| 010  | NLA                     |                        | Not Available | SCREW, TERMINAL INSULATOR               |
| 011  | <a href="#">303396</a>  |                        |               | Thermostat, Hi-Limit                    |
| 012  | <a href="#">307179</a>  |                        |               | Heater Assembly                         |
| 013  | <a href="#">Y307173</a> |                        |               | Wire, Jumper                            |