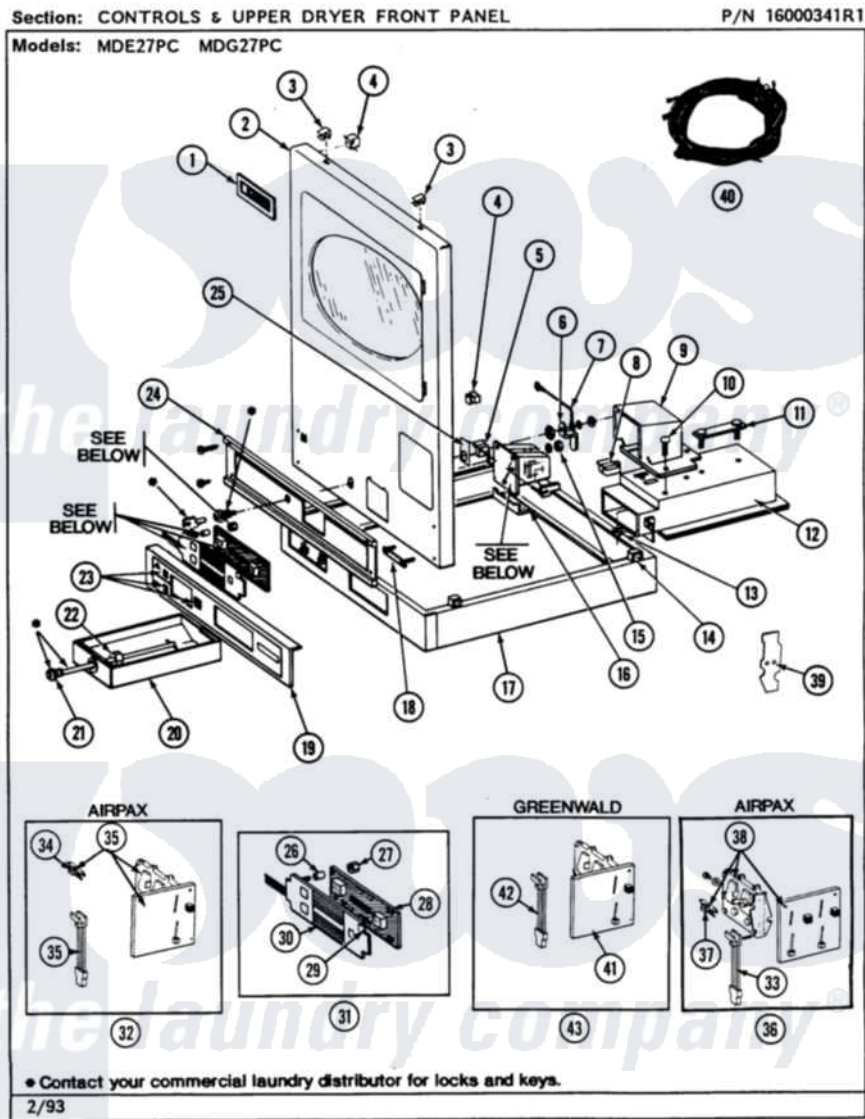


# Maytag MDE27PCAEW 03 - CONTROLS & UPPER DRYER FRONT PANEL



10

Maytag Residential Maytag MDE27PCAEW Dryer Parts Parts Diagram 03 - CONTROLS & UPPER DRYER FRONT PANEL

Click on the part number to view part

Item	Original Part Number	Replaced By	Status	Part Description
001	NLA		Not Available	NAME PLATE
002	NLA		Not Available	FRONT PANEL - UPPER (WHITE)
003	212982	<a href="#">22001650</a>		Fastener, Spring
004	<a href="#">Y310376</a>			Clip, Door Switch Harness
005	211168	<a href="#">W10139210</a>		Screw, 8-18 X 5/16
"	314979		Not Available	SHIELD, ACCESS SWITCH
"	912012	<a href="#">3400409</a>		Screw
"	<a href="#">Y306232</a>			Switch, Access
006	314625	<a href="#">206637</a>		Lock Kit
007	Y306712	<a href="#">Y303981</a>		Ground Wire For Latch
008	<a href="#">314635</a>			Chute, Coin
009	NLA		Not Available	COIN DROP ASSEMBLY---NA
010	<a href="#">314654</a>			Bolt, Coin Drop Cover
011	NLA		Not Available	MTG. STRAP---NA

012	<a href="#">910387</a>		Lockwasher, Vault Assembly
"	NLA	Not Available	VAULT ASSY. (WHITE)
013	Y052740	<a href="#">62739</a>	Nut, Lock
014	310933	<a href="#">33002194</a>	Nut, Speed
015	<a href="#">Y052655</a>		Hex Nut, No.8-32
016	<a href="#">Y313561</a>		Screw---NA
"	<a href="#">314631</a>		Bracket, Coin Mechanism
"	Y310632	<a href="#">1163839</a>	Screw
017	NLA	Not Available	COUPLING COLLAR-WHITE
018	306233	Not Available	STRAP, COIN ACCEPTOR
019	NLA	Not Available	LOWER PANEL---NA
020	306219	<a href="#">308143</a>	Tray, Coin
"	NLA	Not Available	(ALMOND)
021	NLA	Not Available	WASHER, SPRING
022	<a href="#">214104</a>		Reinforcing Nut For Coin BO
023	<a href="#">314618</a>		Lens
024	314664	<a href="#">212277</a>	Screw, No.8 X 1/2 Inch
"	314666	Not Available	SCREW, PANEL (UPR)
"	NLA	Not Available	UPPER CONTROL EXTRUSION
025	<a href="#">314634</a>		Bracket, Access Switch
026	<a href="#">912075</a>		Spacer, Circuit Board
027	<a href="#">912077</a>		Locknut, Reader Harness
028	NLA	Not Available	CONTROL BOARD ASSEMBLY
029	<a href="#">912086</a>		Clip, Speed
030	<a href="#">306443</a>		Touch Pad Assembly
"	910186	<a href="#">99002757</a>	Screw
031	NLA	Not Available	CONTROL & TOUCH PAD ASSY.
032	Y307749	<a href="#">Y308122</a>	Coin Rejector Assembly
033	<a href="#">314665</a>		Screw, Switch Assembly
"	Y306224	Not Available	COIN SENSOR SWITCH
034	NLA	Not Available	BALANCE ARM W/WEIGHT (\$.25)
035	Y307390	<a href="#">308121</a>	Rejector Assembly
036	NLA	Not Available	COIN REJECTOR ASSY. (.10)
037	<a href="#">314713</a>		Balance Arm W/Weight-\$.10
038	NLA	Not Available	REJECTOR ASSY. (.10 - ACCESS)
039	314710	Not Available	COIN SLOT COVER (ACCESS)
040	306238	Not Available	(12 CIRCUITS FOR DE & DG
"	306239	Not Available	(14 CIRCUITS FOR DE & DG
"	307423	Not Available	WIRE HARNESS (UPR-DE)
"	<a href="#">314652</a>		Tapered Beam Contact Usage Varies Between Harnesses
"	NLA	Not Available	(LOWER)
"	NLA	Not Available	EDGE BOARD CONNECTOR
041	<a href="#">308121</a>		Rejector Assembly
042	<a href="#">314665</a>		Screw, Switch Assembly
"	Y306224	Not Available	COIN SENSOR SWITCH
043	<a href="#">Y308122</a>		Coin Rejector Assembly