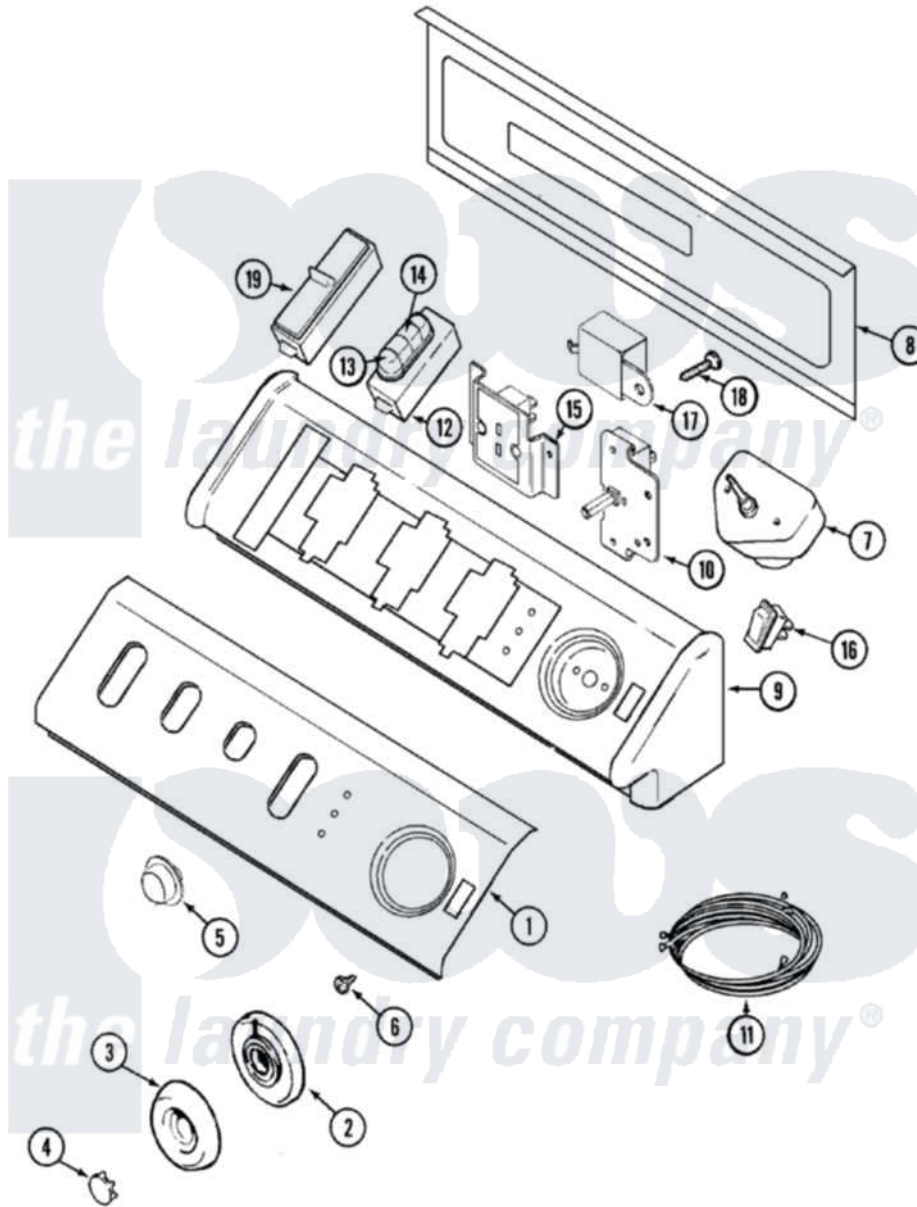


Maytag MDE4000AZQ 03 - CONTROL PANEL



Maytag [Residential Maytag MDE4000AZQ Dryer Parts](#) Parts Diagram 03 - CONTROL PANEL
 Click on the part number to view part

Item	Original Part Number	Replaced By	Status	Part Description
1	Y22002339	8534058		Screw
"	33002423			Panel, Control
2	33002346			Skirt, Timer Dial
3	22001659			Timer Knob - Grey
4	33002347			Timer Knob Insert/Cap
5	33002435			Button, Push-To-Start
6	33001690	90767		Screw, 8A X 3/8 HeX Washer Head Tapping
7	33001730			Timer
"	33002676			Timer, Electronic Dry
8	22002529		Not Available	CONSOLE BACK PANEL
"	216423	3370225		Screw
9	33002327	37001115		Console
10	33002356	33001618		Switch- PU
11	33002419			Wire Harness, Main
12	33002415	33002414		Switch, Option 4 Pos
13	22002697			Button, Switch

14	22002698	22003875	Button- SW
15	33002400	Not Available	DRYNESS DISPLAY CONTROL (BSQ)
16	33002418		2 Pos. Rocker Switch
17	33001848		Signal, End Of Cycle
18	33001860	W10116760	Screw
19	33002338	33001656	Switch, Temp Note: Switch, Inf. Temp
20	22001948		Lens, Indicator Light
"	22001403		Light, Indicator
21	33002426		Manual, Use And Care
"	33002427	Not Available	MANUAL, USE & CARE (FRCH)
22	33002579		Guide, Energy

the laundry company[®]

the laundry company[®]

the laundry company[®]