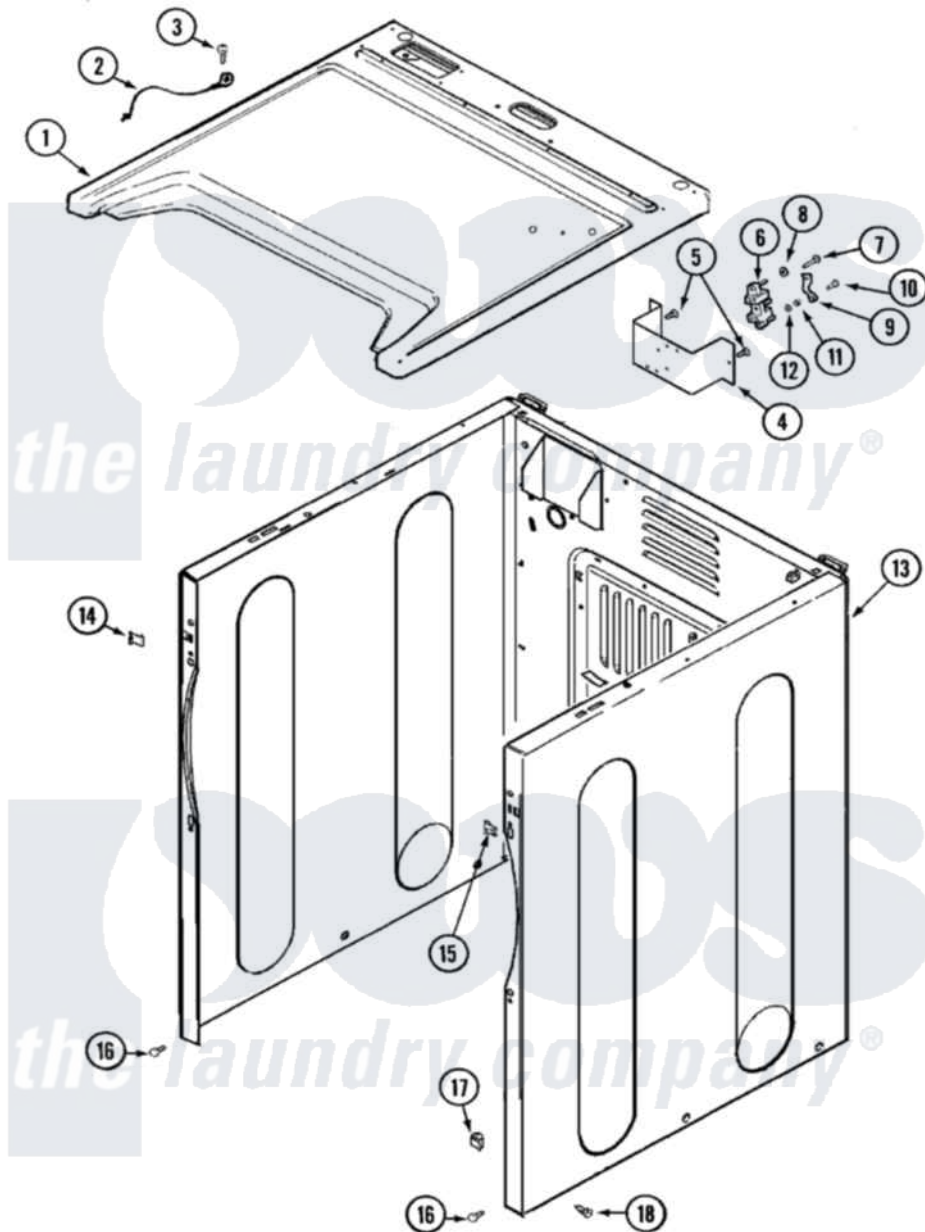


# Maytag MDE4916AZW 01 - CABINET



Maytag [Residential Maytag MDE4916AZW Dryer Parts](#) Parts Diagram 01 - CABINET  
 Click on the part number to view part

| Item | Original Part Number     | Replaced By               | Status        | Part Description                            |
|------|--------------------------|---------------------------|---------------|---|
| 1    | <a href="#">33001896</a> |                           |               | Cover, Top                                  |
| 2    | 33001859                 |                           | Not Available | WIRE, GROUND                                |
| 3    | 210186                   | <a href="#">3370225</a>   |               | Screw                                       |
| 4    | 33001826                 |                           | Not Available | BRACKET, TERMINAL BLOCK---NA                |
| 5    | <a href="#">22001995</a> |                           |               | Screw Note: Screw, Tumbler Front And Shroud |
| 6    | <a href="#">33001244</a> |                           |               | Block, Terminal                             |
| 7    | Y312209                  | <a href="#">W10001200</a> |               | Screw                                       |
| 9    | <a href="#">Y312184</a>  |                           |               | Strap, Grounding                            |
| 10   | <a href="#">33001245</a> |                           |               | Screw---NA                                  |
| 11   | 311484                   | <a href="#">112432</a>    |               | Nut   |
| 12   | <a href="#">311093</a>   |                           |               | Washer, Terminal Connection                 |
| 13   | <a href="#">33001897</a> |                           |               | Cabinet                                     |
| 14   | <a href="#">22002049</a> |                           |               | Clip Note: Clip, Front Panel                |
| 15   | 213280                   | <a href="#">204439</a>    |               | Screw And Fstner Assembly                   |
| 16   | <a href="#">22001995</a> |                           |               | Screw Note: Screw, Tumbler                  |

16

[22001999](#)

Front And Shroud

17

[Y310376](#)

Clip, Door Switch Harness

18

[213007](#)

Xfor Cabinet See Cabinet,  
Back

