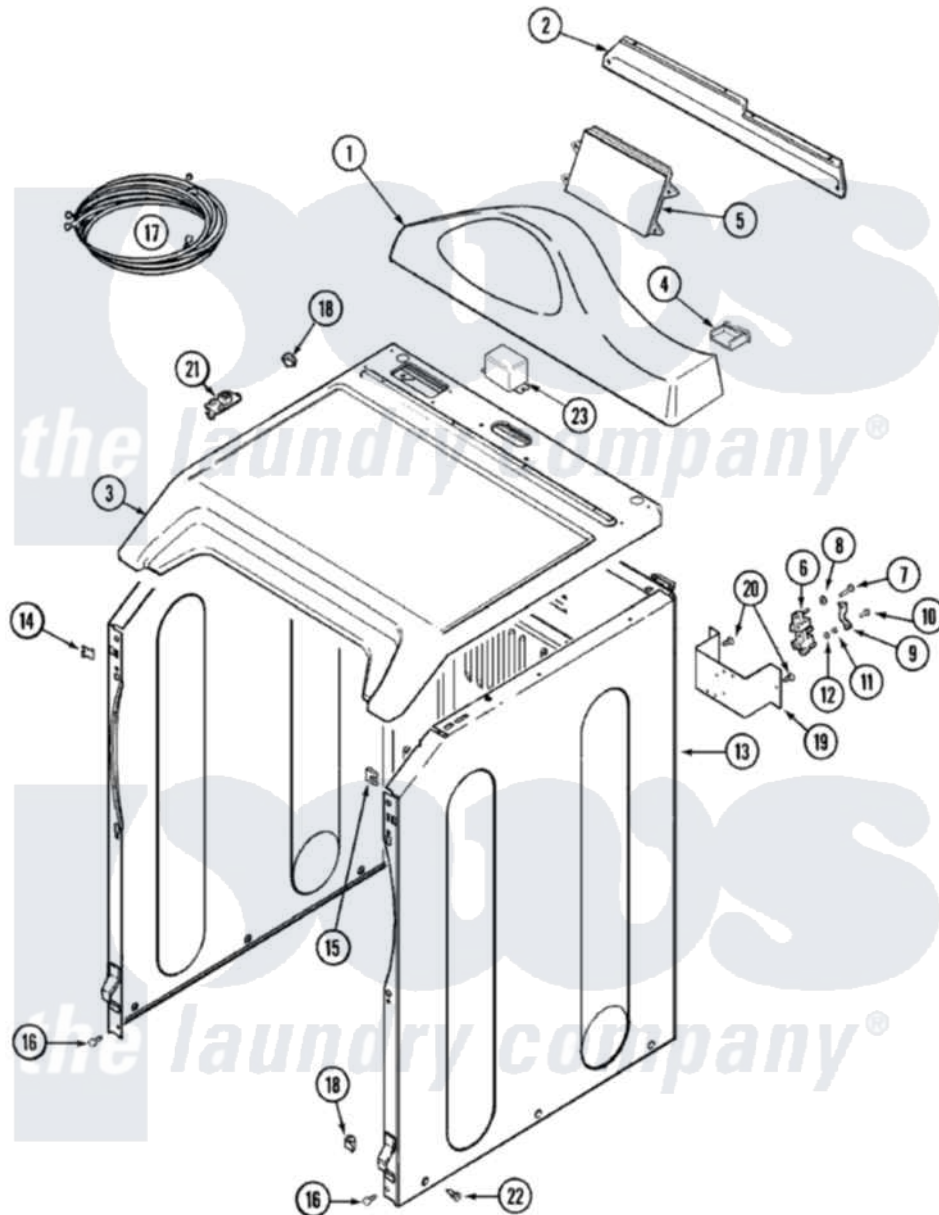


Maytag MDE7500AZQ 02 - CONTROL PANEL & CABINET



Maytag Residential Maytag MDE7500AZQ Dryer Parts Parts Diagram 02 - CONTROL PANEL & CABINET
 Click on the part number to view part

Item	Original Part Number	Replaced By	Status	Part Description
1	22003241			Console, Lcd W/Membrane
"	22004443			Lcd Console Assembly-BSQ - As Pack
"	22003807			Medallion, Console
"	22003806			Medallion, Console
2	22003581			Back, Console Panel
"	Y22002339	8534058		Screw
"	22003255	22003581		Back, Console Panel
3	33002367			Cover, Top
"	33002628			Cover, Top
4	22003323			Cover, Console Plug
5	33002761	33002886		ConTrol Board Assy/Lcd As Pk T
"	22002061	910187		Screw
"	33002562	33002886		ConTrol Board Assy/Lcd As Pk T
"	22002061	910187		Screw

"	33002641	33002886	ConTrol Board Assy/Lcd As Pk T
"	33002716	33002886	ConTrol Board Assy/Lcd As Pk T
"	33002799	33002886	ConTrol Board Assy/Lcd As Pk T
"	33002799	33002886	ConTrol Board Assy/Lcd As Pk T
"	33002684	33002886	ConTrol Board Assy/Lcd As Pk T
"	33002886		ConTrol Board Assy/Lcd As Pk T
6	33001244		Block, Terminal
7	Y312209	W10001200	Screw
8	Y311270		Washer, Terminal Block
9	Y312184		Strap, Grounding
10	33001245		Screw----NA
11	311484	112432	Nut
12	311093		Washer, Terminal Connection
13	22001995		Screw Note: Screw, Tumbler Front And Shroud
"	22003640		Cabinet Assembly
"	22003639		Cabinet Assembly
"	22003583	Not Available	CABINET, ASSY. (BSQ-AS PK)
"	22003367	22004095	Hinge, Plastic
"	22002659	22003640	Cabinet Assembly
14	22002049		Clip Note: Clip, Front Panel
15	213280	204439	Screw And Fstner Assembly
16	22001995		Screw Note: Screw, Tumbler Front And Shroud
17	33002547	33002615	Harness, Wire
"	33002801		Wire Harness
"	33002615		Harness, Wire
"	33002615		Harness, Wire
"	33001860	W10116760	Screw
"	306199		Relay, Heater
18	Y310376		Clip, Door Switch Harness
21	33001872	33002891	Pin, Locator
22	22003409	213007	Xfor Cabinet See Cabinet, Back
"	213007		Xfor Cabinet See Cabinet, Back
23	306199		Relay, Heater
24	63721610	Not Available	MANUAL, USE & CARE
"	Y2201891	Not Available	MANUAL, USE & CARE
25	16009968	16023110	Serv Man
26	33002579		Guide, Energy