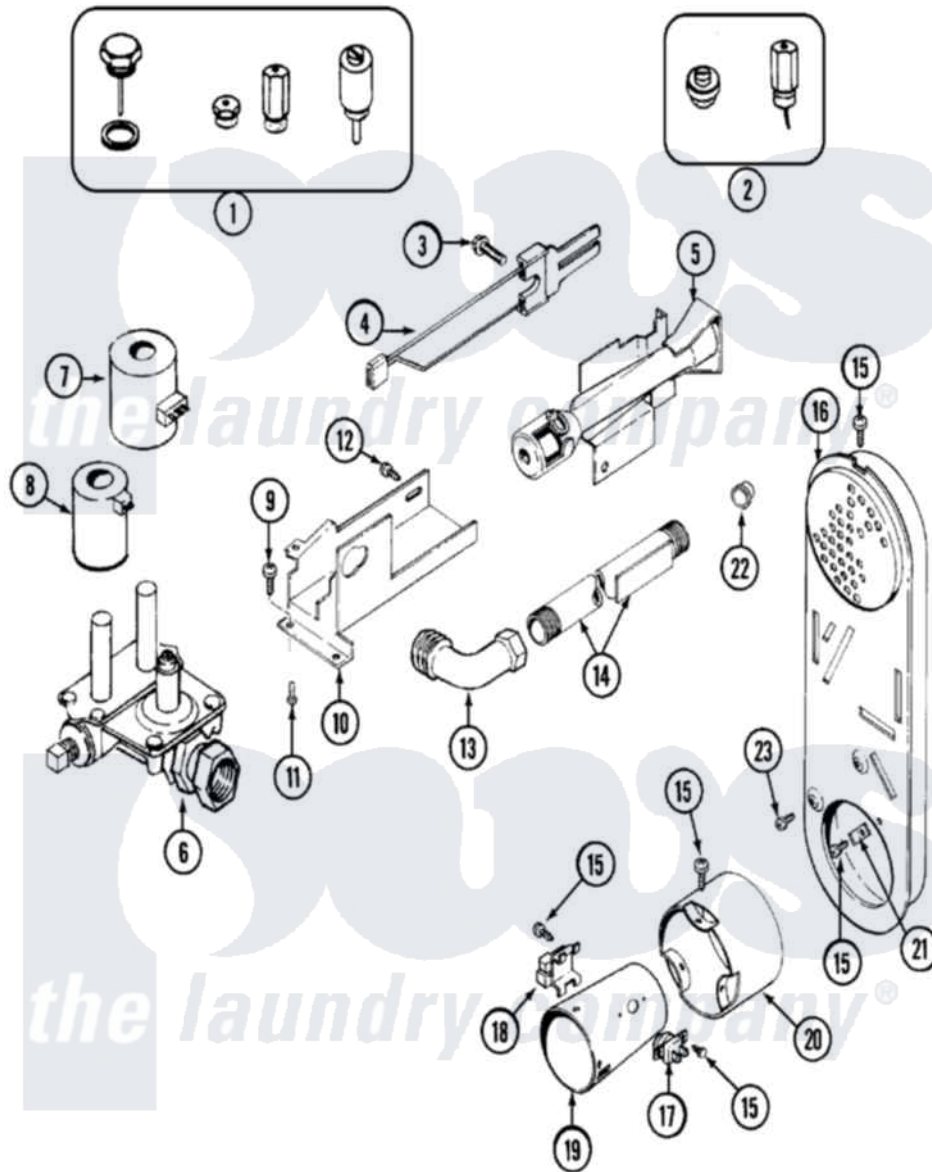


Maytag MDE8600AZQ 04 - GAS VALVE



Maytag [Residential Maytag MDE8600AZQ Dryer Parts](#) Parts Diagram 04 - GAS VALVE
 Click on the part number to view part

Item	Original Part Number	Replaced By	Status	Part Description
2	306204	33002924		Gas Conv K
3	304971			Screw Note: Screw, Igniter
4	304970	4391996		Ignitor
5	33001247	33002793		Burner Assembly
6	306176			Valve, Gas
7	306106			Coil, Holding And Booster--W
8	306105	694540		Coil, 60 Hz
9	Y313561			Screw---NA
10	33001834		Not Available	BRACKET, GAS VALVE---NA
11	314568	Y313559		Screw
"	314082	90767		Screw, 8A X 3/8 HeX Washer Head Tapping
12	Y310632	1163839		Screw
13	33001842	3406051		Elbow Union Assembly
14	33001735			Pipe And Bracket Assembly Series 18 Not Needed Use Vavle

15	211294	90767	Screw, 8A X 3/8 HeX Washer Head Tapping
16	33001810	Not Available	DUCT ASSY., INLET (GAS) NOTE: INLET DUCT ASSEMBLY
17	303395		Thermostat, Hi-Limit
18	Y303377	338906	Radiant, Sensor
19	33001835		Cone Assembly, Combustion
"	22001996	3370225	Screw
20	Y303841		Cone, Extension
21	22001996	3370225	Screw
"	Y312890		Retainer, Heater Chamber
22	33001693		Cap, Gas Pipe
23	22001996	3370225	Screw

the laundry company[®]

the laundry company[®]

the laundry company[®]