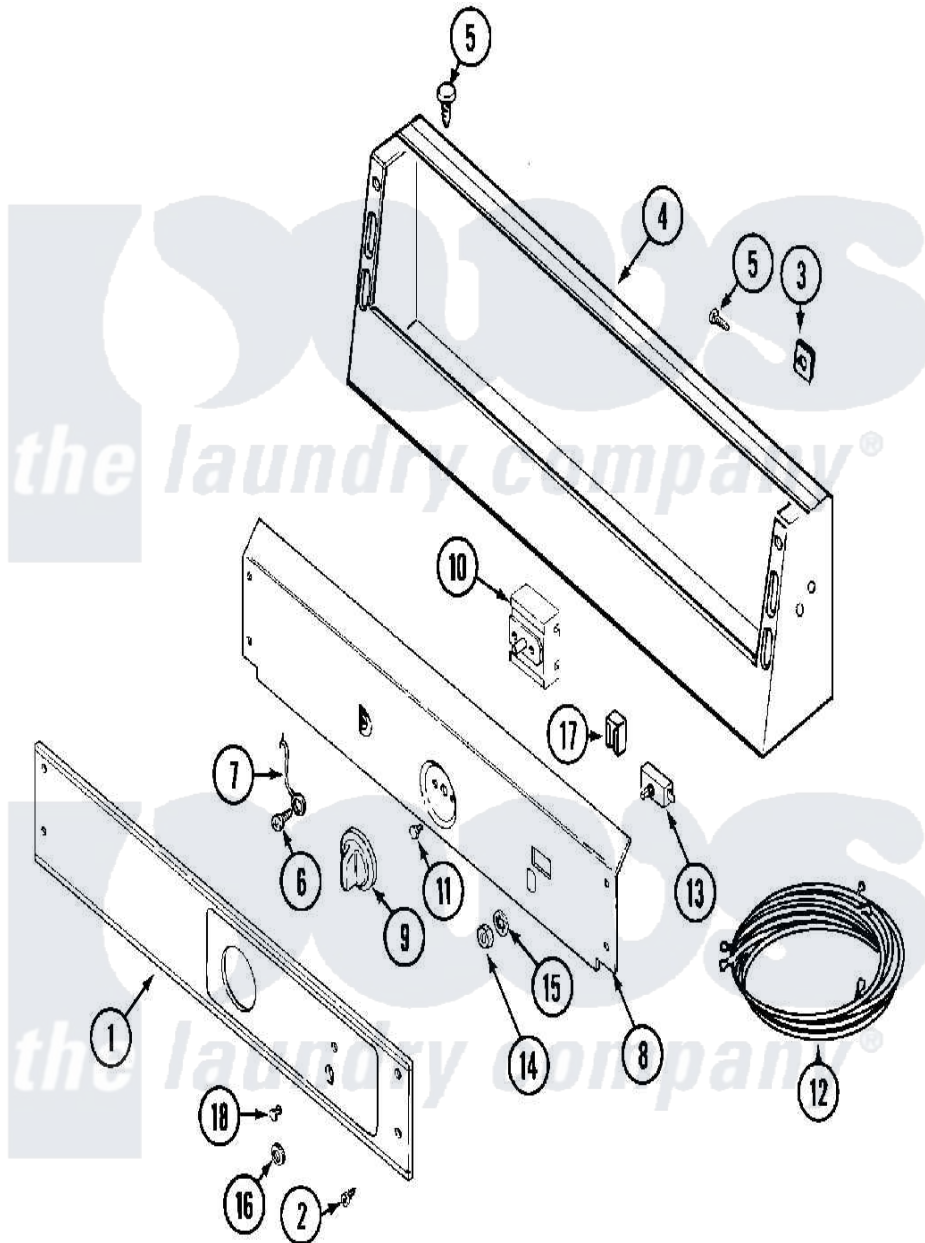


# Maytag MDG10CSABL 01 - CONTROL PANEL



Maytag [Residential Maytag MDG10CSABL Dryer Parts](#) Parts Diagram 01 - CONTROL PANEL  
 Click on the part number to view part

| Item | Original Part Number     | Replaced By               | Status        | Part Description             |
|------|--------------------------|---------------------------|---------------|------------------------------|
| 001  | <a href="#">33001022</a> |                           |               | Panel, Control               |
| 002  | <a href="#">215506</a>   |                           |               | Screw, Control Panel Overlay |
| 003  | <a href="#">215003</a>   |                           |               | Fastener, Panel And Bracket  |
| 004  | NLA                      |                           | Not Available | CONSOLE (WHT)                |
| 005  | 212276                   | <a href="#">W10116760</a> |               | Screw                        |
| 006  | <a href="#">211252</a>   |                           |               | Screw, Ground Wire           |
| "    | <a href="#">Y313559</a>  |                           |               | Screw                        |
| 007  | <a href="#">205810</a>   |                           |               | Wire, Ground                 |
| 008  | 314912                   |                           | Not Available | BRACKET, CONTROL PANEL (WHT) |
| "    | NLA                      |                           | Not Available | (ALM)                        |
| 009  | <a href="#">306938</a>   |                           |               | Knob, Selector Switch        |
| 010  | 307237                   | <a href="#">W10327105</a> |               | Switch, Cycle Selection      |
| 011  | Y313588                  | <a href="#">488234</a>    |               | Screw 8-32 X 1/4             |
| 012  | <a href="#">33001530</a> |                           |               | Wire Harness, Main           |
| "    | NLA                      |                           | Not Available | WIRE HARNESS, MAIN---NA      |
| 013  | 306940                   | <a href="#">W10149462</a> |               | Switch, Push-To-Start        |

|     |                         |                        |                             |
|-----|-------------------------|------------------------|-----------------------------|
| 014 | Y312706                 | <a href="#">422617</a> | Nut                         |
| 015 | <a href="#">312751</a>  |                        | Lockwasher, Start Switch    |
| 016 | <a href="#">Y312702</a> |                        | Knurled Nut, Start Switch   |
| 017 | 204075                  | Not Available          | PILOT LAMP (DG MODELS ONLY) |
| 018 | <a href="#">215564</a>  |                        | Lens, Indicator Light       |

