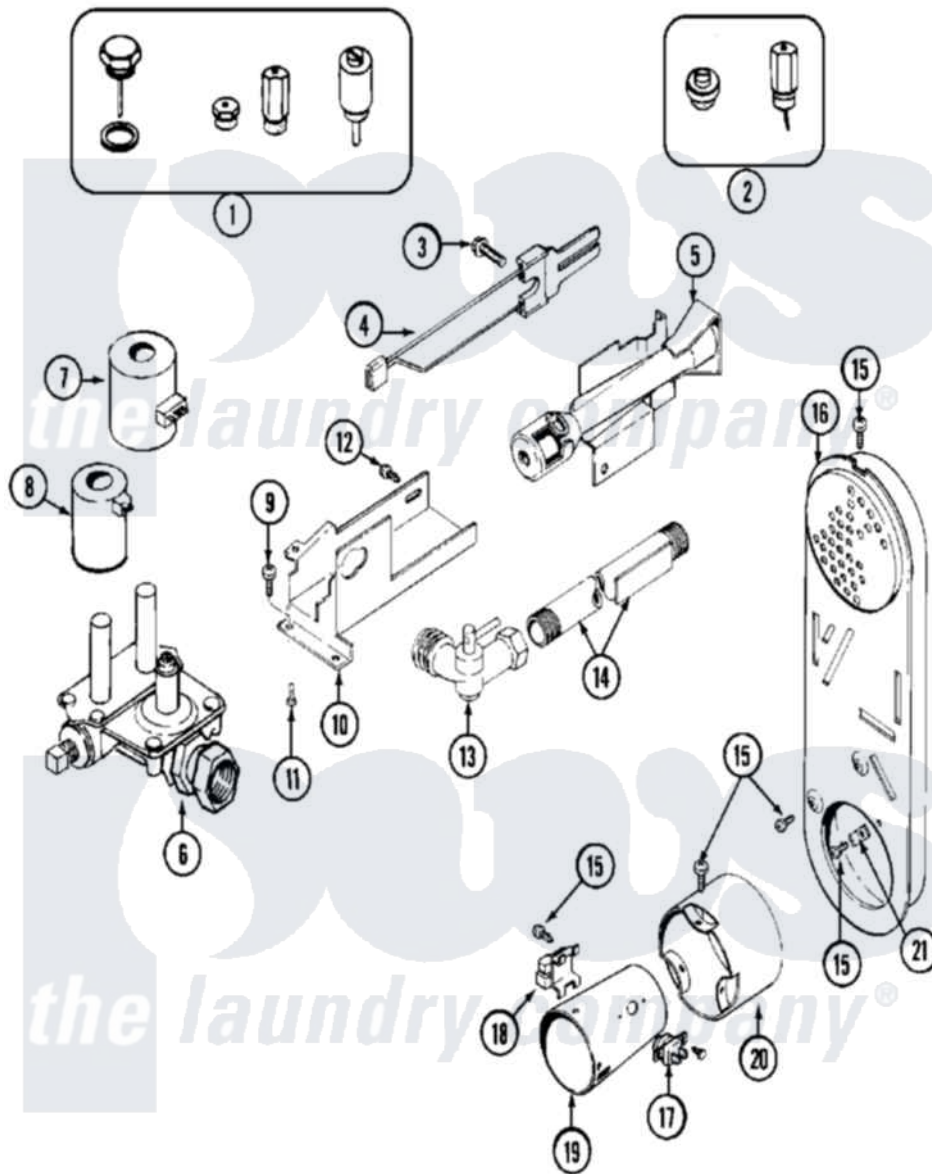


# Maytag MDG10CSABL 07 - GAS VALVE



Maytag [Residential Maytag MDG10CSABL Dryer Parts](#) Parts Diagram 07 - GAS VALVE  
 Click on the part number to view part

| Item | Original Part Number    | Replaced By               | Status        | Part Description                                       |
|------|-------------------------|---------------------------|---------------|--------------------------------------------------------|
| 001  | Y308378                 | <a href="#">W10402145</a> |               | LP Gas Con                                             |
| 002  | Y308377                 |                           | Not Available | CONVERSION KIT (LP TO NATURAL)                         |
| 003  | <a href="#">304971</a>  |                           |               | Screw Note: Screw, Igniter                             |
| 004  | 304970                  | <a href="#">4391996</a>   |               | Ignitor                                                |
| 005  | 33001247                | <a href="#">33002793</a>  |               | Burner Assembly                                        |
| 006  | <a href="#">308345</a>  |                           |               | Valve, Gas                                             |
| 007  | <a href="#">306106</a>  |                           |               | Coil, Holding And Booster-W                            |
| 008  | 306105                  | <a href="#">694540</a>    |               | Coil, 60 Hz                                            |
| 009  | <a href="#">Y313561</a> |                           |               | Screw----NA                                            |
| 010  | <a href="#">314566</a>  |                           |               | Gas Control Bracket                                    |
| 011  | <a href="#">Y313559</a> |                           |               | Screw                                                  |
| 012  | 314082                  | <a href="#">90767</a>     |               | Screw, 8A X 3/8 HeX Washer Head Tapping                |
| "    | 314568                  | <a href="#">Y313559</a>   |               | Screw                                                  |
| 013  | <a href="#">Y303349</a> |                           |               | Angle Shut-Off, Gas Valve<br>Pipe And Bracket Assembly |

|     |                         |                          |                                            |
|-----|-------------------------|--------------------------|--------------------------------------------|
| 014 | Y303383                 | <a href="#">33001735</a> | Series 18 Not Needed Use<br>Vavle          |
| 015 | 211294                  | <a href="#">90767</a>    | Screw, 8A X 3/8 HeX Washer<br>Head Tapping |
| 016 | Y308504                 |                          | Not Available INLET DUCT ASSEMBLY          |
| 017 | <a href="#">305169</a>  |                          | Thermostat, Hi-Limit Gas                   |
| 018 | Y303377                 | <a href="#">338906</a>   | Radiant, Sensor                            |
| 019 | <a href="#">Y308548</a> |                          | Combustion Cone Assembly                   |
| 020 | <a href="#">Y303841</a> |                          | Cone, Extension                            |
| 021 | <a href="#">Y312890</a> |                          | Retainer, Heater Chamber                   |

