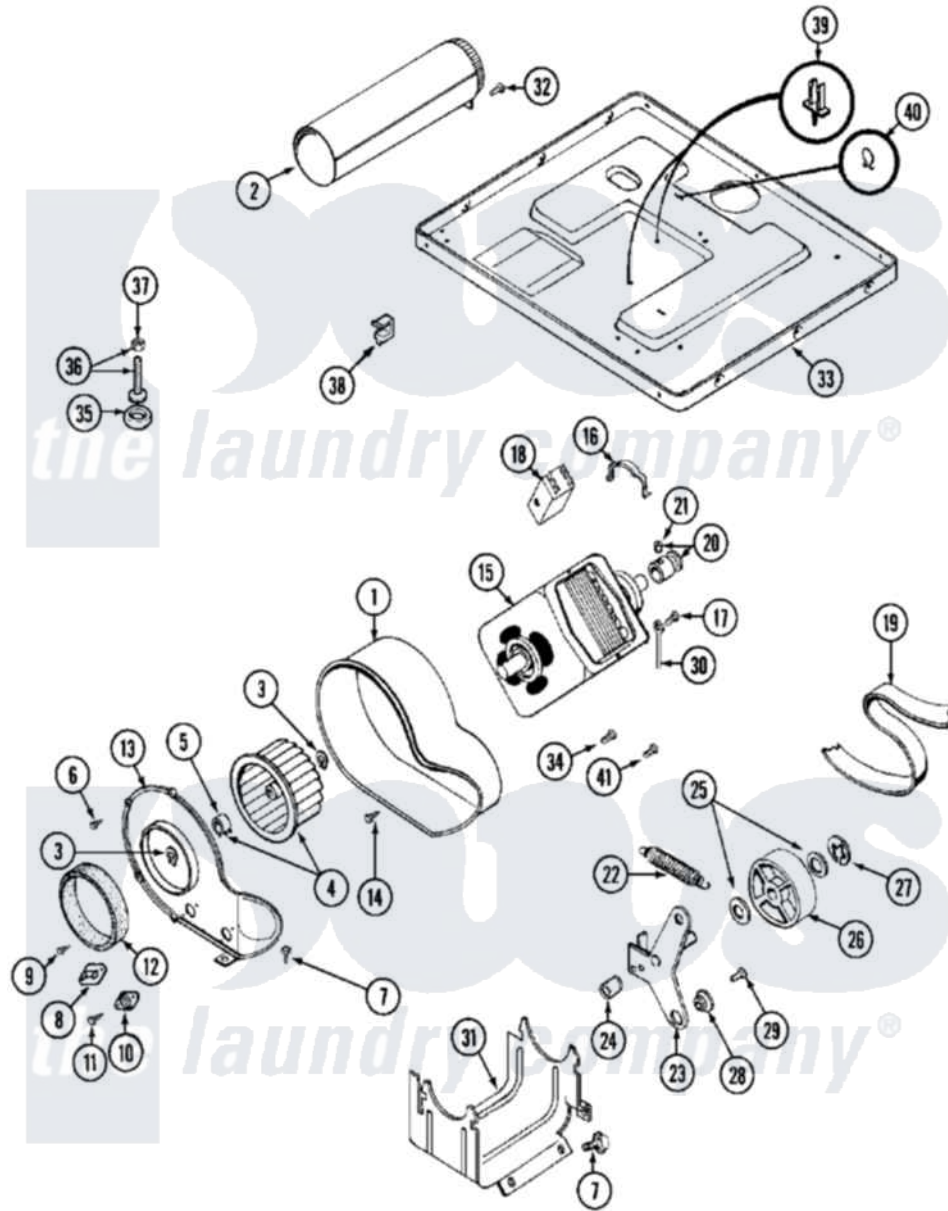


Maytag MDG10DAABL 08 - MOTOR DRIVE



Maytag [Residential Maytag MDG10DAABL Dryer Parts](#) Parts Diagram 08 - MOTOR DRIVE
 Click on the part number to view part

Item	Original Part Number	Replaced By	Status	Part Description
001	Y312893			Housing, Blower
002	Y303442			EXHAUST DUCT ASSEMBLY
003	410233	9703438		Ring-Retrn
004	Y303836			Blower Wheel Assembly And Clamp
005	312967			Clamp, Blower Housing
006	Y312961	W10116751		Screw
007	Y313561			Screw----NA
008	303392			Thermostat, Cycling
"	306966			Thermostat, Multi-Temp Part Not Used Mdg26ct-MN Only
"	308211			Thermostat, Cool Down
009	211294	90767		Screw, 8A X 3/8 HeX Washer Head Tapping
010	306604			Cut-Off, Thermal Part Not Used
011	NLA		Not Available	SCREW, THERMAL CUT-OFF
012	Y312901			Seal, Housing Cover

013	314847		COVER, BLOWER HOUSING
014	Y310632	1163839	Screw
015	Y303358	W10410999	Motor-Drve
016	Y015825		Clip, Motor To Motor Support
017	910343	488234	Screw 8-32 X 1/4
018	306207	Not Available	(PROD. No.303358-8 & No.303358-9)
"	NLA	Not Available	SWITCH, MOTOR EXTERNAL START
"	Y303877	Not Available	SWITCH, MOTOR EXTERNAL START No.303358-2, No.303358-4, 303358-7
"	Y303879		Switch, Motor External Start
019	Y312959		Poly "V" Belt For Tumbler
020	Y305185	6-3051850	Pulley- MO
021	Y053241		Set Screw, Motor Pulley
022	Y303945		IDLER SPRING ASSY. W/PLUG
023	Y303363	6-3033630	Idler Arm
024	Y313582	W10116756	Spacer
025	Y312527		Washer, Idler Shaft
026	Y303705	6-3037050	Pulley- ID
027	312958	354987	Ring, Retaining
028	Y312894	315772	Sleeve, Idler Arm
029	Y014874		Screw, Idler Arm And Sleeve
030	901220		Ground Wire
031	NLA	Not Available	SUPPORT, MOTOR
032	Y310632	1163839	Screw
033	Y305084		Base Assembly
034	211294	90767	Screw, 8A X 3/8 HeX Washer Head Tapping
035	Y314137		Foot, Rubber
036	Y305086		Adjustable Leg And Nut
037	Y052740	62739	Nut, Lock
038	Y310376		Clip, Door Switch Harness
039	315471	22003298	Retainer, Wire
040	410490		Spring, Retainer Wire Harness
041	Y312961	W10116751	Screw

