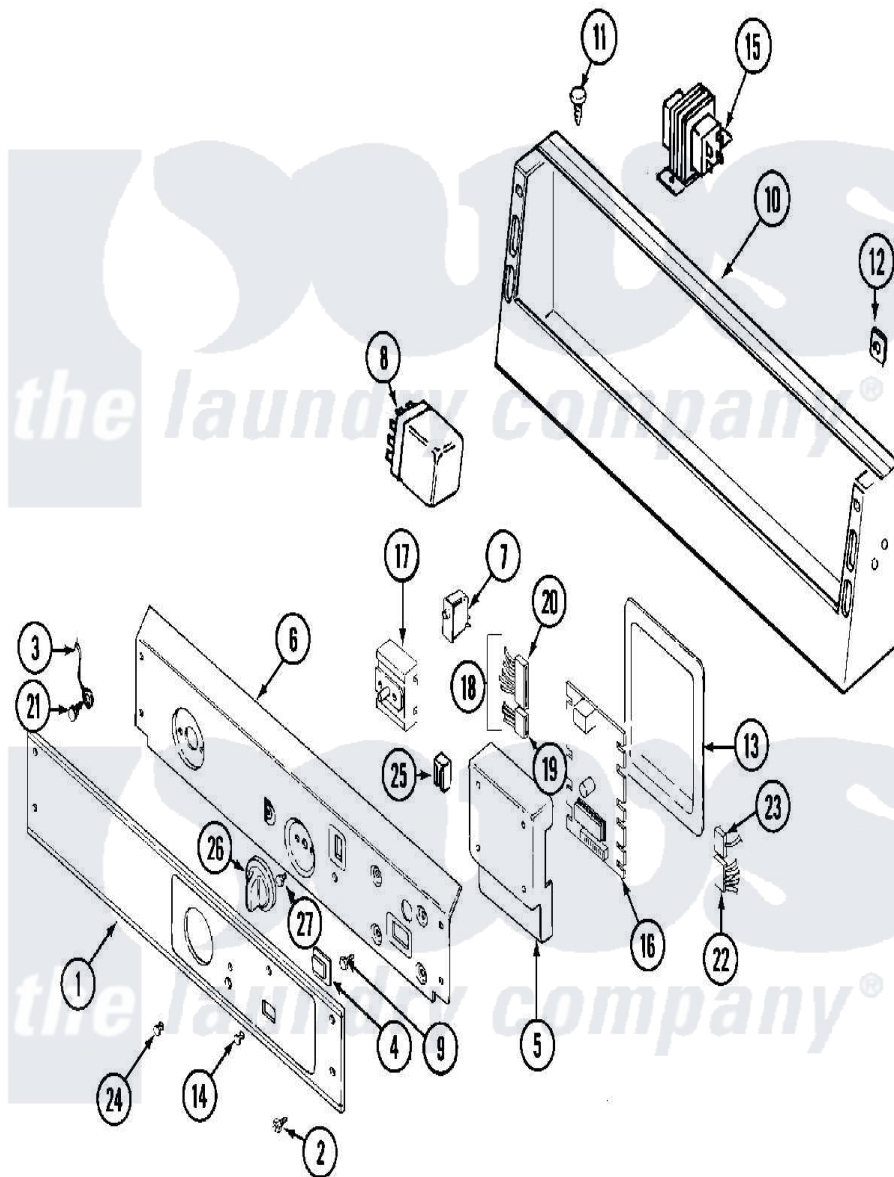


Maytag MDG10DAABW 01 - CONTROL PANEL



Maytag [Residential Maytag MDG10DAABW Dryer Parts](#) Parts Diagram 01 - CONTROL PANEL
 Click on the part number to view part

| Item | Original Part Number | Replaced By | Status | Part Description |
|------|------------------------|---------------------------|---------------|------------------------------|
| 001 | NLA | | Not Available | PANEL, CONTROL |
| 002 | 215506 | | | Screw, Control Panel Overlay |
| 003 | 205810 | | | Wire, Ground |
| 004 | NLA | | Not Available | WINDOW, DATA ACQUISITION |
| 005 | NLA | | Not Available | ENCLOSURE, CIRCUIT BOARD |
| 006 | 315343 | 31-5343 | | Parts Manual |
| " | NLA | | Not Available | (ALM) |
| 007 | NLA | | Not Available | SWITCH, START |
| 008 | NLA | | Not Available | RELAY, DPST |
| " | Y251119 | 3177991 | | Screw |
| 009 | 312956 | | | Screw-Igniter And Clip Mount |
| 010 | NLA | | Not Available | CONTROL (WHT) |
| 011 | 212276 | W10116760 | | Screw |
| 012 | 215003 | | | Fastener, Panel And Bracket |
| 013 | NLA | | Not Available | COVER, ENCLOSURE |

| | | | | |
|-----|--------------------------|---------------------------|---------------|--|
| 014 | NLA | | Not Available | LENS, INDICATOR (GRN) |
| 015 | 211294 | 90767 | | Screw, 8A X 3/8 HeX Washer Head Tapping |
| " | NLA | | Not Available | TRANSFORMER |
| 016 | NLA | | Not Available | BOARD, DATA ACQUISITION |
| 017 | 307237 | W10327105 | | Switch, Cycle Selection |
| 018 | NLA | | Not Available | HARNES, WIRE MAIN |
| 019 | 314529 | | | Connector, Edgeboard |
| 020 | NLA | | Not Available | CONNECTOR, EDGEBOARD |
| 021 | 211252 | | | Screw, Ground Wire |
| 022 | 206799 | | | Optic Switch Assembly |
| " | NLA | | Not Available | CONNECTOR, EDGEBOARD--NA |
| 023 | 208045 | | | Harness, Wire Sensor Switch To Circuit Brd |
| " | 22001361 | | | Connector, Edgeboard |
| 024 | 215564 | | | Lens, Indicator Light |
| 025 | 204075 | | Not Available | PILOT LAMP (DG MODELS ONLY) |
| 026 | 306938 | | | Knob, Selector Switch |
| 027 | Y313588 | 488234 | | Screw 8-32 X 1/4 |

