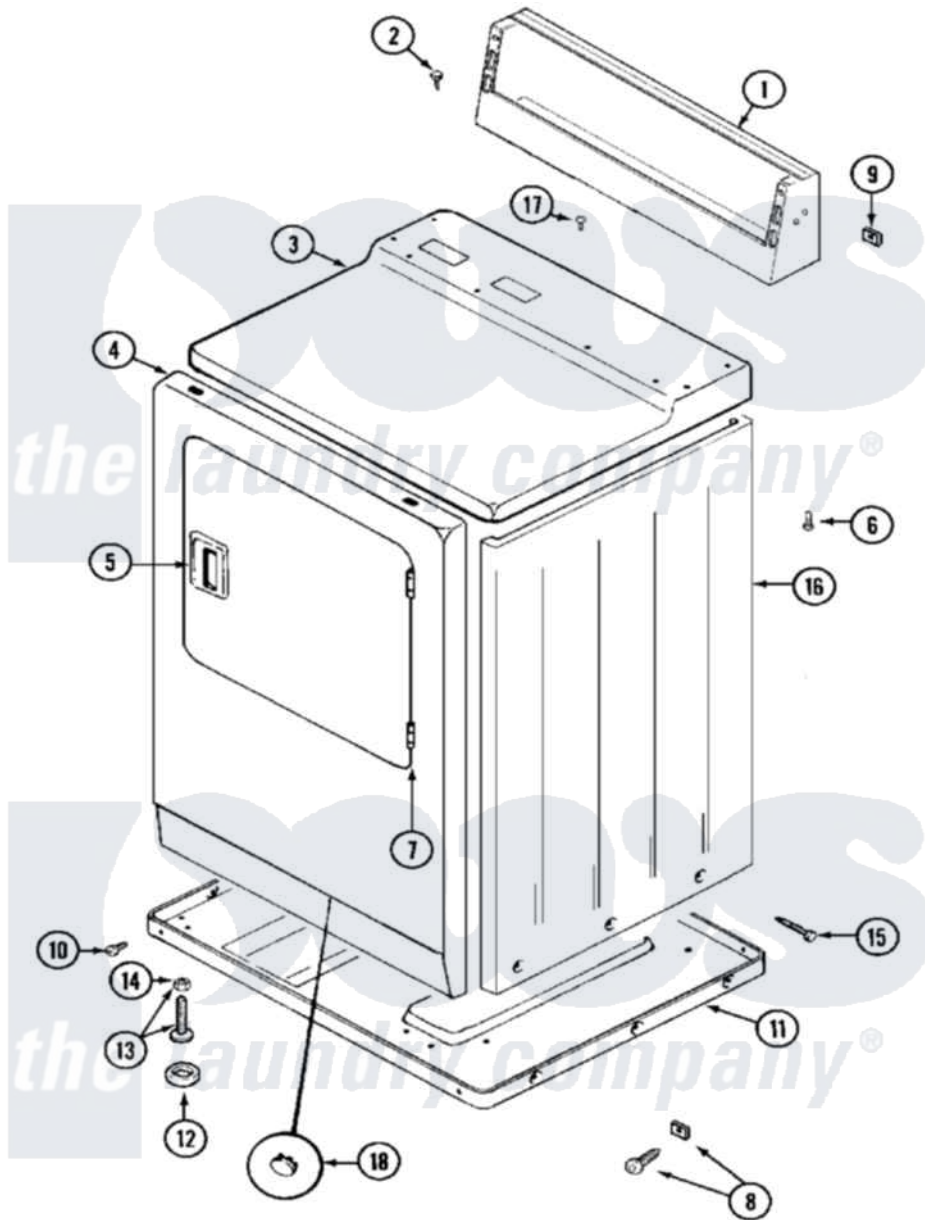


# Maytag MDG10MNEGW 02 - CABINET (FRONT)



Maytag Residential Maytag MDG10MNEGW Dryer Parts Parts Diagram 02 - CABINET (FRONT)  
 Click on the part number to view part

| Item | Original Part Number     | Replaced By               | Status        | Part Description                   |
|------|--------------------------|---------------------------|---------------|------------------------------------|
| 001  | <a href="#">33001280</a> |                           |               | Console                            |
| 002  | 212276                   | <a href="#">W10116760</a> |               | Screw                              |
| 003  | <a href="#">33001165</a> |                           |               | Top Cover Assembly                 |
| 004  | NLA                      |                           | Not Available | PANEL, FRONT (WHT)                 |
| 005  | <a href="#">33001241</a> |                           |               | Handle, Door                       |
| 006  | <a href="#">214354</a>   |                           |               | Screw, Top Cover To Cabnt.         |
| 007  | <a href="#">33001230</a> |                           |               | Hinge, Door                        |
| 008  | <a href="#">204439</a>   |                           |               | Screw And Fstner Assembly          |
| 009  | <a href="#">215075</a>   |                           |               | Fastener, Control Panel To Console |
| 010  | <a href="#">Y313561</a>  |                           |               | Screw---NA                         |
| "    | Y310632                  | <a href="#">1163839</a>   |               | Screw                              |
| 011  | Y303361                  |                           | Not Available | BASE ASSY. (UPPER & LOWER)         |
| 012  | <a href="#">Y314137</a>  |                           |               | Foot, Rubber                       |
| 013  | <a href="#">Y305086</a>  |                           |               | Adjustable Leg And Nut             |
| 014  | Y052740                  | <a href="#">62739</a>     |               | Nut, Lock                          |

|     |                        |                          |                                |
|-----|------------------------|--------------------------|--------------------------------|
| 015 | <a href="#">213007</a> |                          | Xfor Cabinet See Cabinet, Back |
| 016 | NLA                    | Not Available            | CABINET (WHT)                  |
| 017 | 210186                 | <a href="#">3370225</a>  | Screw                          |
| 018 | 33001132               | <a href="#">33002342</a> | Plug, Sifht Hole               |

