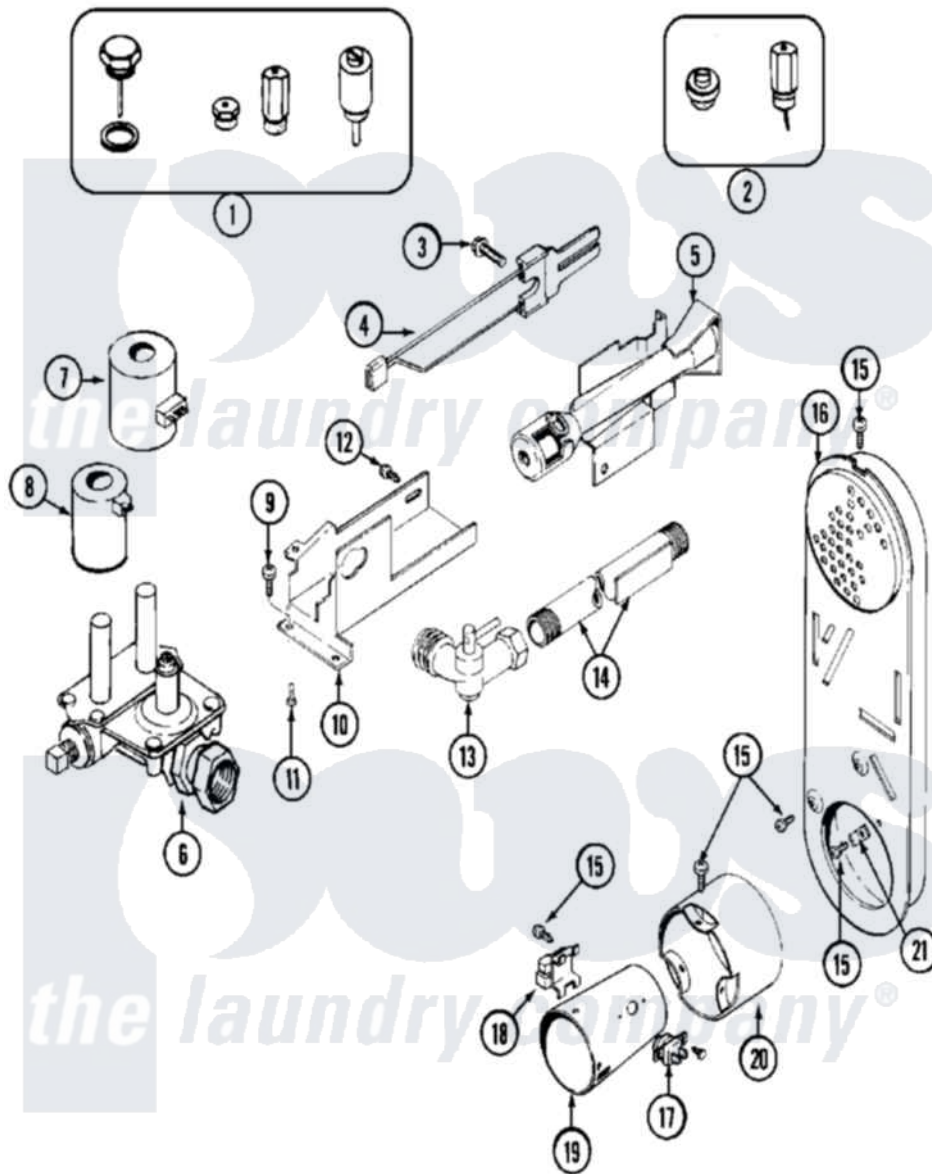


Maytag MDG11CSEGL 05 - GAS VALVE



Maytag [Residential Maytag MDG11CSEGL Dryer Parts](#) Parts Diagram 05 - GAS VALVE
 Click on the part number to view part

| Item | Original Part Number | Replaced By | Status | Part Description |
|------|-------------------------|---------------------------|---------------|--|
| 001 | Y308378 | W10402145 | | LP Gas Con |
| 002 | Y308377 | | Not Available | CONVERSION KIT (LP TO NATURAL) |
| 003 | 304971 | | | Screw Note: Screw, Igniter |
| 004 | 304970 | 4391996 | | Ignitor |
| 005 | 33001247 | 33002793 | | Burner Assembly |
| 006 | 307927 | | | Valve, Gas |
| 007 | Y307931 | | | Coil, Holding And Booster |
| 008 | 307930 | | | Coil, Secondary |
| 009 | Y313561 | | | Screw----NA |
| 010 | 314566 | | | Gas Control Bracket |
| 011 | Y313559 | | | Screw |
| 012 | 314082 | 90767 | | Screw, 8A X 3/8 HeX Washer Head Tapping |
| " | 314568 | Y313559 | | Screw |
| 013 | Y303349 | | | Angle Shut-Off, Gas Valve Pipe And Bracket Assembly |

| | | | |
|-----|-------------------------|--------------------------|--|
| 014 | Y303383 | 33001735 | Series 18 Not Needed Use Vavle |
| 015 | 211294 | 90767 | Screw, 8A X 3/8 HeX Washer Head Tapping |
| 016 | Y308504 | | Not Available INLET DUCT ASSEMBLY |
| 017 | 303395 | | Thermostat, Hi-Limit |
| 018 | Y303377 | 338906 | Radiant, Sensor |
| 019 | Y308549 | | Combustion Cone Assembly |
| 020 | NLA | | Not Available EXTENSION, UPPER CONE |
| 021 | Y312890 | | Retainer, Heater Chamber |

