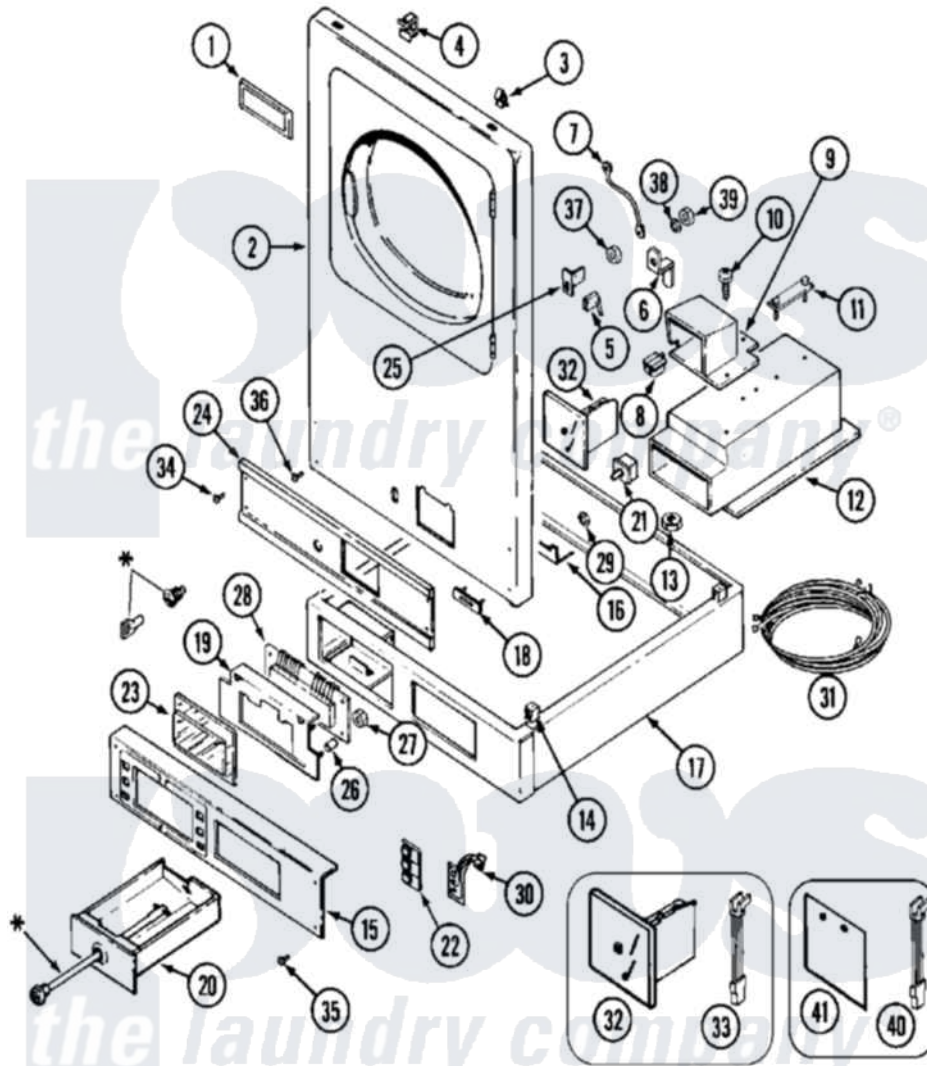


Maytag MDG11PDAAW 01 - CONTROLS & UPPER PANEL



*Contact Your Commercial Distributor for Locks & Keys

Maytag [Residential Maytag MDG11PDAAW Dryer Parts](#) Parts Diagram 01 - CONTROLS & UPPER PANEL
 Click on the part number to view part

Item	Original Part Number	Replaced By	Status	Part Description
001	NLA		Not Available	NAME PLATE
002	33001447		Not Available	PANEL, FRONT (UPR-WHT)
"	NLA		Not Available	PANEL, FRONT (UPR-WHT)
003	212982	22001650		Fastener, Spring
004	Y310376			Clip, Door Switch Harness
005	912012	3400409		Screw
"	Y306232			Switch, Access
006	314625	206637		Lock Kit
007	211294	90767		Screw, 8A X 3/8 HeX Washer Head Tapping
"	Y306712	Y303981		Ground Wire For Latch
008	314635			Chute, Coin
009	NLA		Not Available	COVER, COIN DROP
010	314654			Bolt, Coin Drop Cover
011	NLA		Not Available	STRAP, MOUNTING
"	NLA		Not Available	LOCKWASHER, MOUNTING STRAP

012	910387		Lockwasher, Vault Assembly
"	NLA	Not Available	VAULT ASSEMBLY (WHT)
013	NLA	Not Available	LOCKWASHER, COVER BOLT
"	Y052740	62739	Nut, Lock
014	310933	33002194	Nut, Speed
015	33001023	Not Available	EXTRUSION, CONTROL (LOWER)
016	Y313561		Screw----NA
"	314631		Bracket, Coin Mechanism
"	Y310632	1163839	Screw
017	NLA	Not Available	SUPPORT ASSEMBLY (WHT)
018	306233	Not Available	STRAP, COIN ACCEPTOR
019	33001201		Plate, Control Mounting
"	910186	99002757	Screw
020	308143		Tray, Coin
"	308143L	308143	Tray, Coin
021	33001250		Switch, Vault And Service Door
022	33001156		Button, Control
023	33001209		Cover, Display
024	NLA	Not Available	EXTRUSION, CONTROL (UPR)
025	211168	W10139210	Screw, 8-18 X 5/16
"	314634		Bracket, Access Switch
026	33001204		Stand-Off, Ccontrol Board
027	912077		Locknut, Reader Harness
028	33001249		Battery, Control Board
"	33001290	33002605	Circuit Board Assembly
029	Y052659	Y052655	Hex Nut, No.8-32
030	33001200	33002449	Switch, Membrane
031	314522		Grommet, Strain Relief
"	33001032		Wire Harness, Main
"	33001033		(LWR)
"	33001196		Wire Harness, Main
"	33001197		(UPR)
"	33001404		Wire Harness, Main
"	33001405		(LWR)
"	33001407		(LWR)
"	910768	M0280301	Tie Electr
"	NLA	Not Available	WIRE HARNESS, MAIN (UPR)
032	308121		Rejector Assembly
"	Y308123		Rejector Assembly
033	315427		Screw, Switch Assembly
"	33001025	33001985	Switch, Optic
034	215506		Screw, Control Panel Overlay
"	315489		Screw, Extrusion And Front
035	215506		Screw, Control Panel Overlay
036	314666	Not Available	SCREW, PANEL (UPR)
"	NLA	Not Available	CLIP, CABINET SCREW
037	212328	W10139762	Hex Nut, 3/4-27
038	22001354	W10177242	Hex-Nut 9/32 - 28
039	22001355		Nut, Lock Cam
040	33001025	33001985	Switch, Optic

