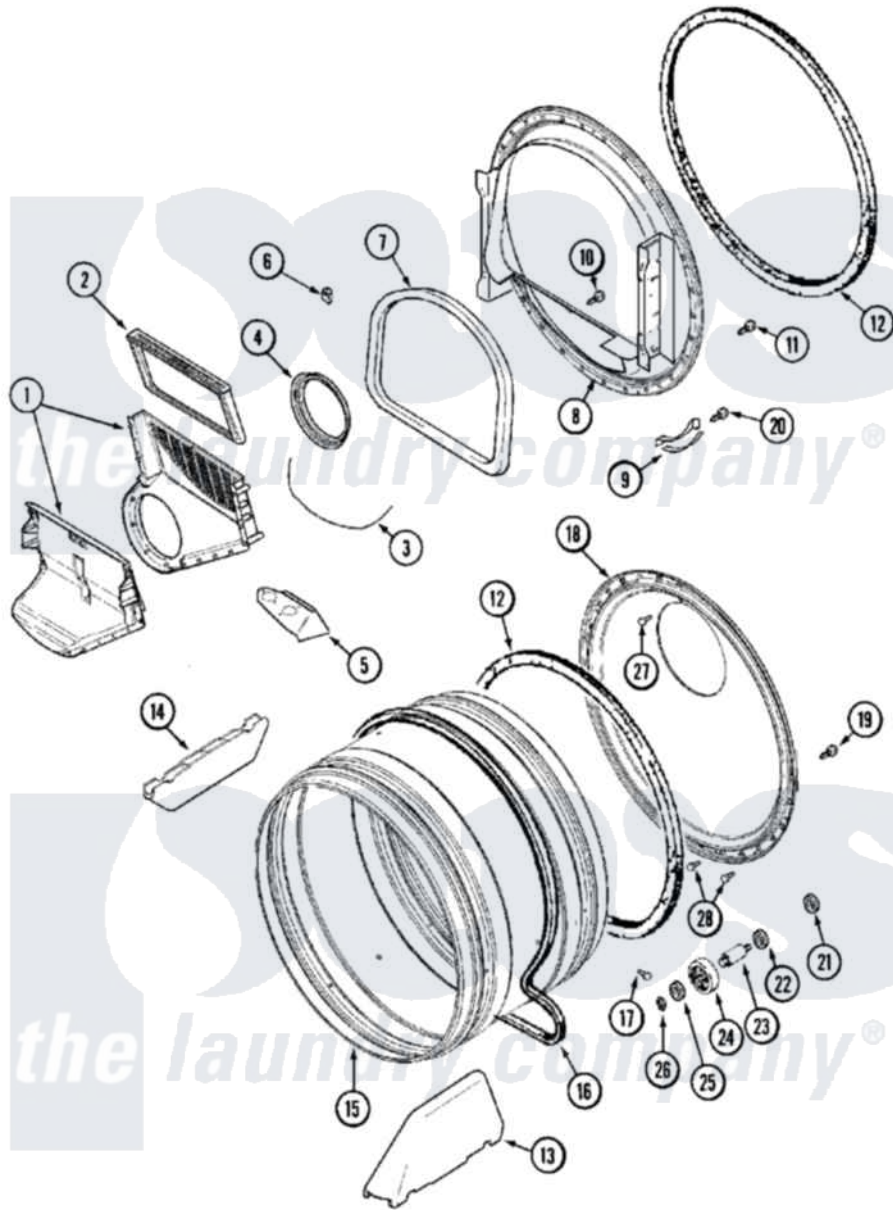


Maytag MDG14PRAWW 08 - TUMBLER



Maytag [Residential Maytag MDG14PRAWW Dryer Parts](#) Parts Diagram 08 - TUMBLER
 Click on the part number to view part

| Item | Original Part Number | Replaced By | Status | Part Description |
|------|--------------------------|--------------------------|---------------|--|
| 001 | 33001799 | | | Outlet Duct Assembly Note: Outlet Duct Assembly |
| 002 | 33001804 | 33002790 | | Lint Filter |
| 003 | NLA | | Not Available | SEAL, OUTLET DUCT |
| 004 | 33001758 | 33002560 | | Seal, Blower |
| 005 | 33001837 | | | Cover, Thermostat |
| 006 | Y310376 | | | Clip, Door Switch Harness |
| 007 | 33001767 | | | Seal, Shroud |
| 008 | 33001802 | | | Front, Tumbler |
| 009 | 306508 | | | Tumbler Bearing Kit ----W |
| 010 | NLA | | Not Available | SCREW, OUTLET DUCT (PHILLIPS) |
| 011 | 33001855 | 33002917 | | Screw, No.10-16 |
| 012 | 33001807 | | | Seal, Tumbler |
| 013 | 33001756 | 33002032 | | Baffle |
| 014 | 33001755 | | | Baffle |
| 015 | 33001794 | 33001889 | | Tumbler |

| | | | |
|-----|--------------------------|---------------------------|--|
| 016 | 33001777 | 33002535 | V-Belt |
| 017 | 33001788 | 33002973 | Screw, No.9-15 X 1.00 Hx WS |
| 018 | 33001801 | | Back, Tumbler |
| 019 | 33002190 | | SCrew, C BraCe, BraCket, Cabinet |
| 020 | 210720 | | Rivet, Bearing To Tumbler Fmt |
| 021 | 33001443 | | Nut, Hex |
| 022 | Y313347 | 312535 | Washer, Vault Mounting Brk. |
| 023 | Y312948 | 6-3129480 | Shaft- Tumbler |
| 024 | Y303373 | 12001541 | Drum Roller/Washer Assembly--W |
| 025 | 312535 | | Washer, Vault Mounting Brk. |
| 026 | 410233 | 9703438 | Ring-Retr |
| 027 | 210932 | | Screw, No.8 X 9/16 Ctsk Note: Screw, Inlet Duct |
| 028 | 22001996 | 3370225 | Screw |

