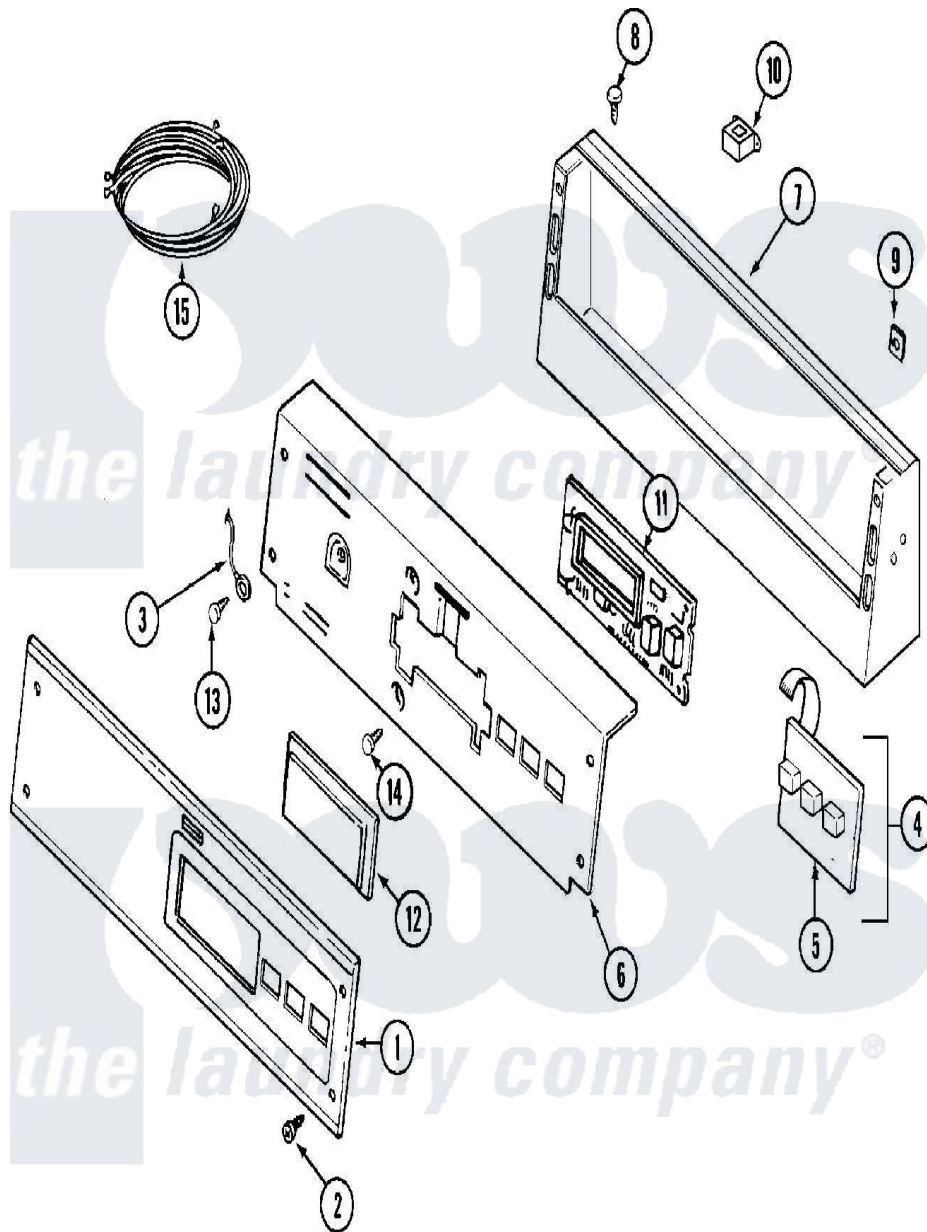


# Maytag MDG14PSABW 01 - CONTROL PANEL



Maytag [Residential Maytag MDG14PSABW Dryer Parts](#) Parts Diagram 01 - CONTROL PANEL  
 Click on the part number to view part

Item	Original Part Number	Replaced By	Status	Part Description
001	33001784	<a href="#">33002941</a>		Facia - Pd/Ps
002	<a href="#">215506</a>			Screw, Control Panel Overlay
003	<a href="#">22001959</a>			Wire, Ground
004	215527	<a href="#">W10140652</a>		Screw, 6-20 X 1/2
"	<a href="#">306694</a>			Backup Plate With Switch
005	215517	<a href="#">W10131113</a>		Push Button
006	22001511	<a href="#">22002954</a>		Deflector, Water
"	<a href="#">33001785</a>			Bracket, Back
"	33001786	<a href="#">33001785</a>		Bracket, Back
"	<a href="#">33002429</a>			Bracket, Back
"	<a href="#">33002519</a>			Bracket, Back
"	NLA		Not Available	BRACKET, BACK (BSQ)
007	<a href="#">22002329</a>			Console
"	22002330	<a href="#">22002889</a>		Console
"	<a href="#">22002889</a>			Console
"	<a href="#">22003088</a>			Console

"	<a href="#">22003089</a>		Console
008	22001996	<a href="#">3370225</a>	Screw
009	<a href="#">215003</a>		Fastener, Panel And Bracket
010	<a href="#">211251</a>		Screw, Transformer
"	<a href="#">22001419</a>		Nut, Transformer
"	<a href="#">22001960</a>		Transformer
011	33001738	<a href="#">W10130081</a>	Control Board
"	<a href="#">912077</a>		Locknut, Reader Harness
"	<a href="#">Y215513</a>		Standoff, Circuit Board
012	22001962	<a href="#">W10131114</a>	Cover, Display
013	<a href="#">211252</a>		Screw, Ground Wire
014	<a href="#">215526</a>		Screw, Circuit Board
015	<a href="#">33001774</a>		Wire Harness, Main
"	NLA	Not Available	WIRE HARNESS, MAIN

