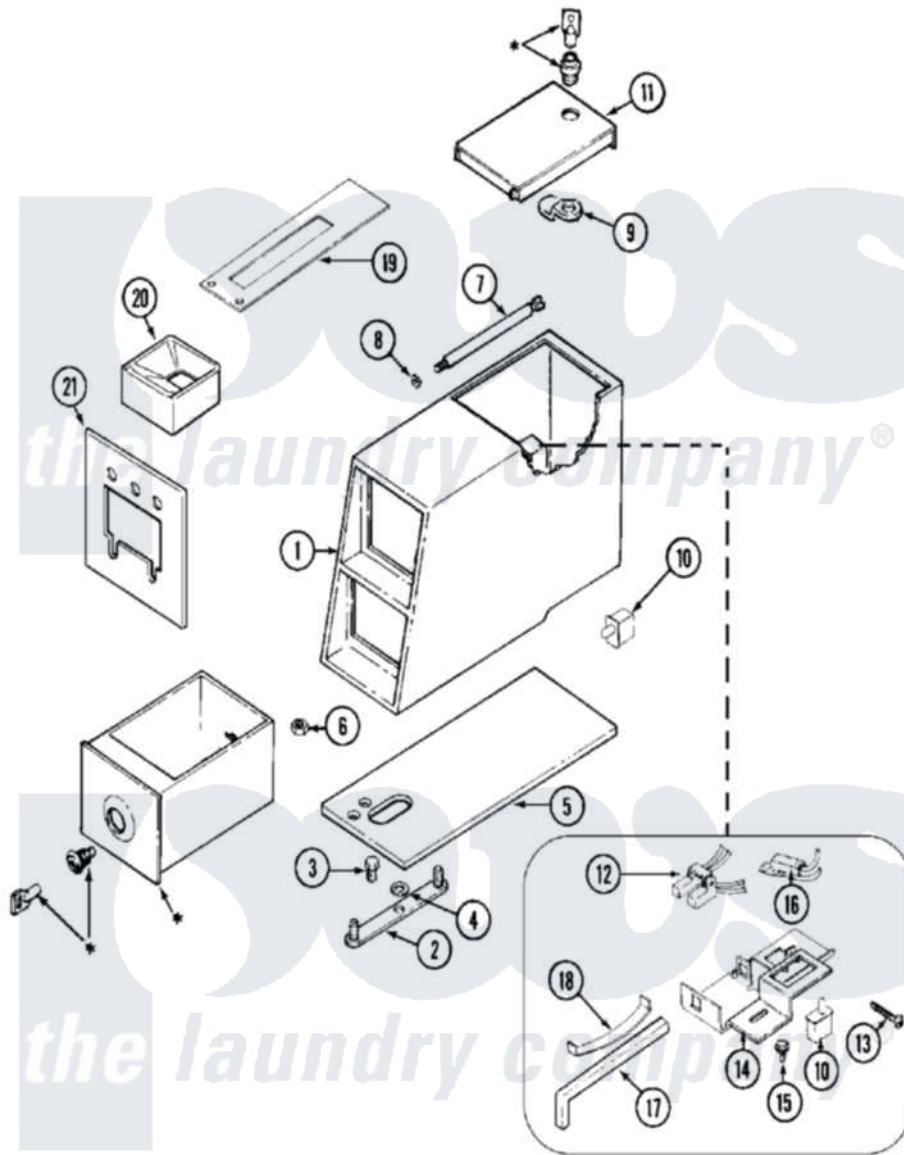


Maytag MDG14PSABW 02 - CONTROL CENTER



***CONTACT YOUR COMMERCIAL LAUNDRY DISTRIBUTOR**

Maytag [Residential Maytag MDG14PSABW Dryer Parts](#) Parts Diagram 02 - CONTROL CENTER
 Click on the part number to view part

Item	Original Part Number	Replaced By	Status	Part Description
001	22002478		Not Available	VAULT, COIN (WHT) (ORIGINAL COIN VAULT NLA USE
002	22001810		Not Available	STRAP, MOUNTING
003	22001996	3370225		Screw
004	910309			Washer, Mounting Strap
005	22002072			Gasket, Control Center
006	Y052740	62739		Nut, Lock
007	22001903	8576635		Bolt
008	910387			Lockwasher, Vault Assembly
009	NLA		Not Available	CAM, LOCKING
010	33001250			Switch, Vault And Service Door
011	22001910	22003679		Timer Access Door Assembly
012	22001965			Optic Switch Assembly
013	314665			Screw, Switch Assembly
014	33001253			Bracket, Sensor Switch

015	212276	W10116760	Screw
016	22001966		Harness, Sensor Switch
017	216442		Rod, Actuator
018	33001252		Spring, Switch Rod
019	22001812	22003416	Actuator Kit
020	22001878	Not Available	CHUTE, COIN (REMOVED AT SERIES 24)
"	22002533		Weld Assembly, Funnel
"	22002534		Bolt, Carriage
"	Y052721		Nut, Terminal Block Plate
021	22001879	22001917	Plate, Adaptor
"	22001904	Not Available	(REMOVED AT SERIES 24)
"	NLA	Not Available	BRACE, COIN SLIDE

the laundry company[®]

the laundry company[®]

the laundry company[®]