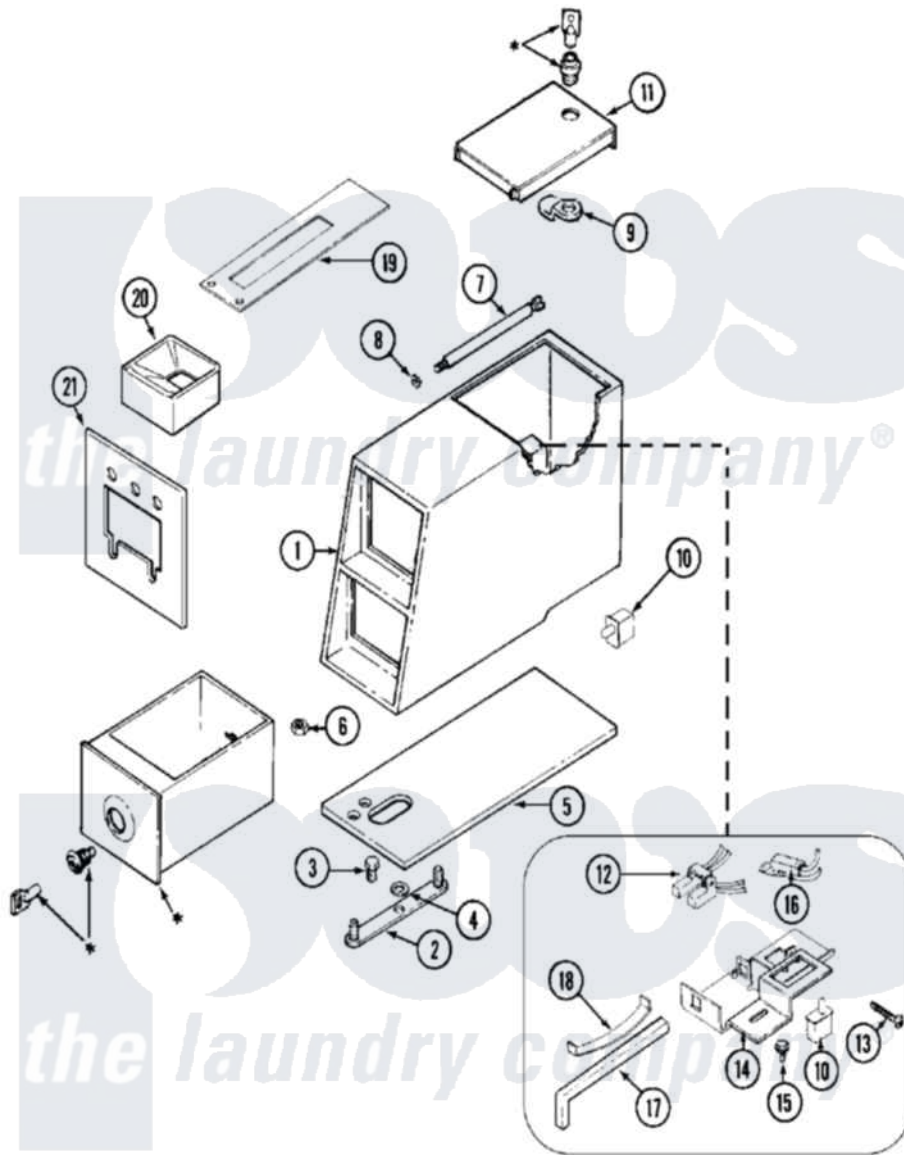


# Maytag MDG16PSAXW 02 - CONTROL CENTER



**\*CONTACT YOUR COMMERCIAL LAUNDRY DISTRIBUTOR**

Maytag [Residential Maytag MDG16PSAXW Dryer Parts](#) Parts Diagram 02 - CONTROL CENTER  
 Click on the part number to view part

Item	Original Part Number	Replaced By	Status	Part Description
001	212276	<a href="#">W10116760</a>		Screw
"	22002478		Not Available	VAULT, COIN (WHT) (ORIGINAL COIN VAULT NLA USE)
002	22001810		Not Available	STRAP, MOUNTING
003	22001996	<a href="#">3370225</a>		Screw
004	<a href="#">910309</a>			Washer, Mounting Strap
005	<a href="#">22002072</a>			Gasket, Control Center
006	Y052740	<a href="#">62739</a>		Nut, Lock
007	22001903	<a href="#">8576635</a>		Bolt
008	<a href="#">910387</a>			Lockwasher, Vault Assembly
009	NLA		Not Available	CAM, LOCKING
010	<a href="#">33001250</a>			Switch, Vault And Service Door
011	22001910	<a href="#">22003679</a>		Timer Access Door Assembly
012	<a href="#">22001965</a>			Optic Switch Assembly
013	<a href="#">314665</a>			Screw, Switch Assembly

014	<a href="#">33001253</a>		Bracket, Sensor Switch
015	212276	<a href="#">W10116760</a>	Screw
016	<a href="#">22001966</a>		Harness, Sensor Switch
017	<a href="#">216442</a>		Rod, Actuator
018	<a href="#">33001252</a>		Spring, Switch Rod
019	22001812	<a href="#">22003416</a>	Actuator Kit
020	22001878		Not Available
			CHUTE, COIN (REMOVED AT SERIES 24)
"	<a href="#">22002533</a>		Weld Assembly, Funnel
"	<a href="#">22002534</a>		Bolt, Carriage
"	<a href="#">Y052721</a>		Nut, Terminal Block Plate
021	22001879	<a href="#">22001917</a>	Plate, Adaptor
"	22001904		Not Available
			(REMOVED AT SERIES 24)
"	NLA		Not Available
			BRACE, COIN SLIDE

*the laundry company*<sup>®</sup>

*the laundry company*<sup>®</sup>

*the laundry company*<sup>®</sup>